

# TESCO



User Manual **EN**

Instrukcja obsługi **PL**

Návod na použití **CZ**

Használati útmutató **HU**

Návod na použitie **SK**

AC20L12

## IMPORTANT SAFETY INFORMATION

### **Please follow all the precautions listed below for safety and to reduce the risk of fire, injury or electrical shock.**

Always operate the product from a power source of the same voltage, frequency and rating as indicated on the product identification plate.

To reduce the risk of electric shock, do not use this product with any solid state speed control device.

Do not operate any product with a damaged cord or plug, after the product malfunctions, is dropped or appears damaged in any way. Return the complete product to the place of purchase for inspection, repair or replacement.

To reduce the risk of electric shock, do not immerse or expose the product or flexible cord to rain, moisture or any liquid. Do not use the product in or near a window.

This product should not be used in the immediate vicinity of water, such as bathtub, washbowls, swimming pool etc. where the likelihood of immersion or splashing could occur.

Never install the product where it could be subject to:

Heat sources such as radiators, heat registers, stoves or other products that produce heat.

Direct sunlight

Excessive dust

Mechanical vibration or shock

Lack of ventilation, such as in a bookcase or cabinet

Switch off and unplug from outlet when not in use, before assembling or disassembling parts and before cleaning.

Fully assemble the product before switching on.

**Warning: do not rely on the unit's on/off button as the sole means of disconnecting power when installing or servicing the unit.**

**Unplug the power cord after switching off the unit. Remove by grasping the plug - do not pull on the cord.**

Avoid contacting moving parts. Do not insert any object or fingers through the louvres when the product is operating.

Do not block or tamper with the product in any manner while it is in operation.

Do not cover the louvres or filter, or operate in close proximity to curtains, etc.

Always disconnect the unit before moving it.

Always place the unit on a stable, flat, level surface when operating, to avoid the evaporative cooler from overturning.

Do not run the power cord under carpet. Do not cover power cord with throw rugs or runners.

Route the power cord away from walking paths so that nobody can trip over it.

Keep the cable away from heat, sharp edges and oil.

Do not use with an extension cord.

Do not use the product without the supplied castors properly fitted to the unit.

## IMPORTANT SAFETY INFORMATION

The use of attachments or accessories not recommended or sold by the product distributor may cause personal or property hazards or injuries.

This product is intended for normal domestic/household use only.

Any disassembly by unauthorised person is not permitted.

If the supply cord is damaged, it must be replaced by the manufacturer, its service agent or similarly qualified person in order to avoid hazard.

Fully assemble the fan before switching on.

This appliance can be used by children aged from 8 years and above and persons with reduced physical, sensory and mental capabilities or lack of experience and knowledge if they have been given supervision or instruction concerning use of the appliance in a safe way and understand the hazards involved. Children shall not play with the appliance. Cleaning and user maintenance shall not be made by children without supervision.

Once the fan is assembled, it is forbidden to disassemble the grids (guard) when cleaning.

## ELECTRICAL INFORMATION

Before using this appliance ensure that the voltage of your electricity supply is the same as that indicated on the appliance.

Do not operate or stop the unit by switching the mains power on and off. Use the ON/OFF button on the appliance.

The means of disconnecting this appliance from the mains supply is the mains plug. This should be unobstructed and readily operable at all times.

## UNPACKING AND ASSEMBLY

### The packing contains

- The cooler unit and water tank
- Four casters, two freewheel, two locking.
- Remote Handset.

If any item is missing or damaged, contact your nearest Tesco store for assistance.

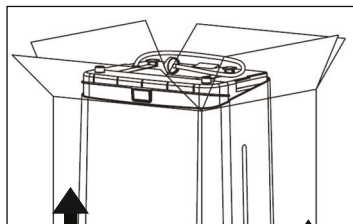
**Please read all the instructions before using this appliance. Read all the safety notes carefully. If you pass the unit on to a third party, include these instructions.**

### Stage 1:

Open the top flaps and remove the accessory tray.

Remove the unit from the packing.

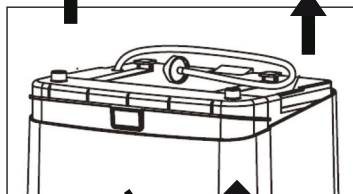
Retain the packaging for future use. If you dispose of it do so in accordance with any recycling regulations in your area.



### Stage 2:

The cooler unit is packed upside down inside the water tank.

Hold the unit by the carrying handles at the side and carefully lift it out.

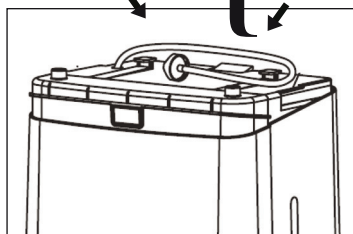


### Stage 3:

Place a towel on the floor.

Invert the cooler unit and place it on the towel.

Carefully detach the inlet hose from the two storage clips and let it hang free.



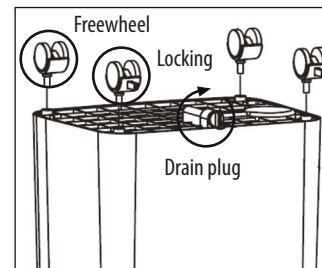
### Stage 4:

Invert the water tank.

Insert the two free wheel casters into the mounts at the front of the tank and the two locking casters into the mounts at the rear of the tank.

Push the casters fully in and check that they are securely fixed.

Check that the drain plug is fully tightened. Turn the plug clockwise to tighten, anti-clockwise to loosen.

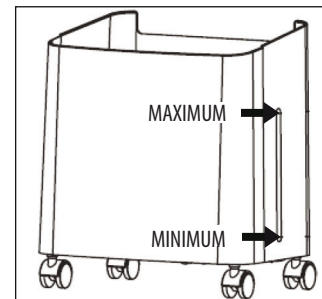


### Stage 5: Filling the Water Tank (Optional)

Set the water tank upright.

Fill the water tank with cold clean water. Do not use scents or other additives. Check that the water level is between the maximum and minimum marks. You should always be able to see the water level in the window.

**DO NOT OVERFILL.**

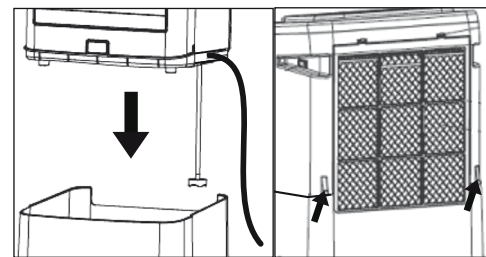


### Stage 6:

Hold the cooler unit by the handles and lower it onto the water tank. Make sure the filter hose is inside the tank.

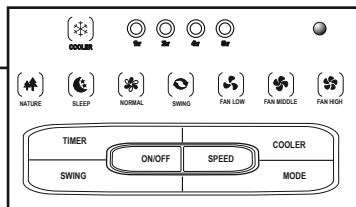
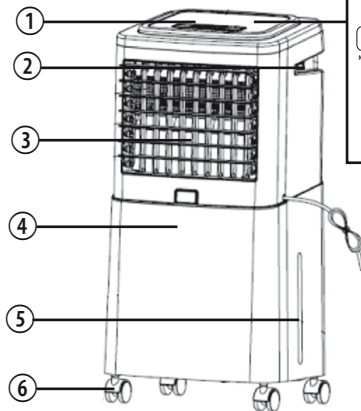
Check that the two units are secured by the two lock pins at the rear of the cooler unit.

The cooler is now ready for use.



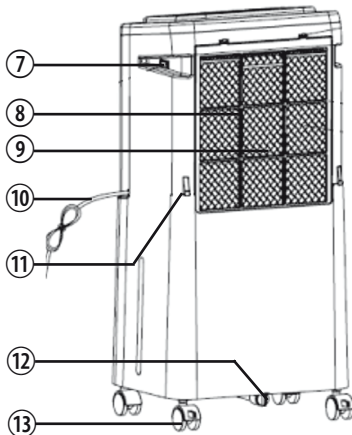
## ABOUT YOUR AIR COOLER

### FRONT VIEW



1. Control Panel
2. Carry Handle
3. Air Outlet with adjustable louvres
4. Water Tank (20 litres)
5. Water Level Indicator Window
6. Free wheel castors
7. Mains ON/OFF Switch
8. Air Inlet Grille
9. Air Inlet Filter (behind grille)
10. Mains Cord
11. Safety Locks
12. Water Outlet Drain Plug
13. Locking Casters

### REAR VIEW



## OPERATING FEATURES OF YOUR UNIT

### Your cooler has two principal operating modes:

**Regular fan operation:** The cooler operates as a conventional motor-assisted fan. In this mode it is not necessary to have water in the tank.

**Cooling Operation:** When there is water in the tank, the unit may be switched into Cooling Mode. In this mode, the warm air in the room is sucked into the unit via the inlet filter, mixed with water from the tank and passed through the outlet filter in a very fine mist. The water instantly evaporates on contact with the air in the room causing a cooling breeze.

### Special Features

All these features are available in standard fan or Cooling mode.

**Variable Fan Speed:** The cooling effect may be varied by altering the fan speed. Three speeds are available, Low, Middle and High.

**Adjustable Louvres:** There are two sets of louvres in the fan outlet. The vertical louvres can be angled up or down manually as required and the horizontal louvres are motorised.

**Swing:** The horizontal louvres oscillate horizontally providing a wider area of operation.

**Timer Operation:** Your cooler can be operated either continuously or for a preset time of 1, 2, 4 or 8 hours.

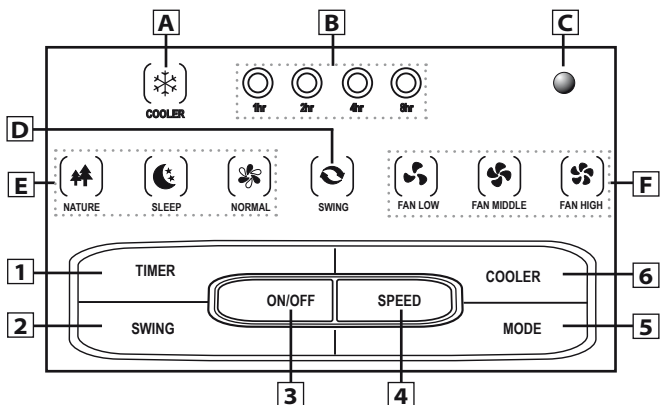
### Operating Modes

**Normal:** The cooler operates at a constant speed as set by the speed control.

**Nature:** The speed cycles from high to off to simulate a natural breeze. The change in intensity of the breeze depends on the SPEED setting.

**Sleep:** This mode is a variant of the 'Nature' mode specially adapted to give you a comfortable night-time breeze.

## THE CONTROL PANEL



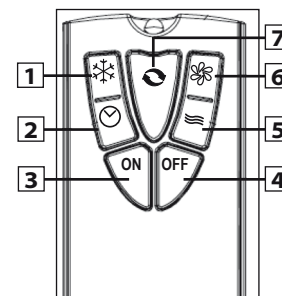
Control keys are at the bottom of the control panel and are indicated by numbers.  
Status indicators are at the top of the panel and are indicated by letters

- 1. Timer:** Press to select timer operation. You can select 1, 2, 4, 8 hours or continuous operation. When timer operation is selected the corresponding time indicator B will light up. If no timer lights are on the cooler is in continuous operation mode.
- 2. Swing:** Press to select Swing operation. In this mode the horizontal louvres oscillate for wider cooling. Swing mode is indicated by the Swing indicator D.
- 3. ON/OFF:** Switches the cooler to operational mode or Standby. In standby mode only the Standby indicator C is illuminated. The Standby indicator is always lit when the cooler is on.
- 4. Speed:** Press to select Low, Medium or High fan speed. The appropriate speed is indicated by the Fan Speed indicator F.
- 5. Mode:** Press this key to alter the mode. The mode light E indicates the selected mode. The modes are described on the preceding page.
- 6. Cooler:** Press to select Cooler operation. The cooler indicator A will illuminate. Cooler operation can be used in conjunction with all operating modes.

## REMOTE HANDSET

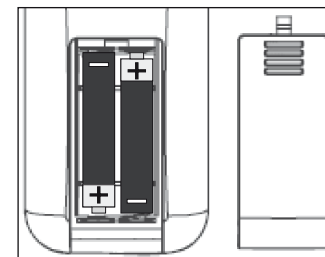
The handset replicates all Control Panel functions.

- 1. Cooler:** Select cooler operation.
- 2. Timer:** Select Timer operation.
- 3. ON:** Switch the unit on.
- 4. OFF:** Switch the unit to Standby.
- 5. Speed:** Select a Fan speed.
- 6. Mode:** Select an operating mode.
- 7. Swing:** Select Swing operation.



### Inserting Batteries

You will need to purchase two AAA batteries.  
Open the cover. Unwrap the batteries and place them in the battery compartment with the polarity as shown. Replace the cover.  
Always use AAA batteries and always replace them in sets. Never mix old and new batteries. Very weak batteries can leak and damage the handset. Replace them in good time!



There is a risk of fire and burns if a battery is handled improperly. Do not disassemble, crush, puncture, short external contacts, or dispose of in fire or water. Do not attempt to open or service a battery. Discard used batteries in accordance with recycling regulations in force in your area.

### Handset Operation

Point the handset at the control panel of the cooler and press the relevant key.  
The handset should be within 5 metres of the cooler and there must be a clear line of sight between the two units.

## OPERATION

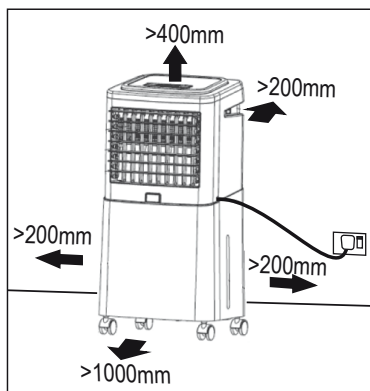
Place the cooler on a smooth, level floor. Allow ample space all round and above the unit for good air circulation.

For added security, press the tabs on the rear casters down to lock them in place.

Ensure there is sufficient water in the tank if you are going to use the cooler facility.

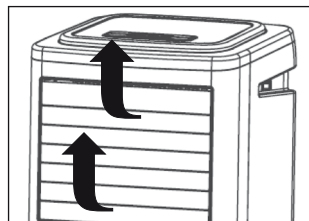
### Switch the ON/OFF switch on the cooler to the OFF position.

Unwrap the power cord fully and plug the unit into a mains point. Switch on at the mains point if necessary.



Carefully place your fingers under the top and second lowest louvres and lift them upwards. Once open they can be angled up or down as required.

As a safety feature the cooler will not operate if the louvres are closed.



### SWITCHING ON AND OFF

Switch the ON/OFF switch on the cooler to the ON position. The red Standby light on the cooler will illuminate showing the cooler is ready for operation.

To switch the cooler out of standby press the ON key on the handset or the ON/OFF key on the control panel. The default operating mode is Normal with a Low fan speed. When you switch the cooler on at the mains this is the mode that will be selected when you bring the cooler out of standby.

To switch the cooler into standby use the OFF key on the handset or the ON/OFF key on the control panel. In Standby the last selected operating mode is retained in the cooler's memory, and will be restored when the unit is next operated.

If the unit is not going to be used for some time switch the cooler off at the ON/OFF switch and unplug the cooler from the mains.

**Selecting a Fan Speed:** Press the SPEED button to select Low, Middle or High fan speed.

Using 'Modes': Set the desired speed, then press the MODE button to change the operating mode.

**The Swing Function:** Press the SWING button to switch the horizontal louvres oscillation on/off.

**Hint:** By briefly switching the SWING button on and off you can direct the flow of air in any direction you choose.

**Using the Timer:** The Timer function allows you to select continuous operation or set the unit to switch to Standby after the set period. This function can be operated under any mode.

**Evaporative Cooling:** When there is water in the tank, press the COOLER button to start using the Evaporative Cooling feature of this unit. The "COOLER" indicator lights up on the Control Panel.

**NOTE:** If there is not enough (or no) water in the tank, the water pump noise will increase as a warning. At this point you should either switch the cooler function off, or switch the cooler off via the ON/OFF switch and unplug the unit from the mains before refilling the water tank and re-starting operations.

### To refill the tank:

Switch off and unplug the cooler.

Carefully lift off the cooler unit and place it on a level surface.

Refill the water tank.

Re-assemble the cooler.

### NEVER USE THE COOLER FEATURE WITH INSUFFICIENT WATER IN THE TANK

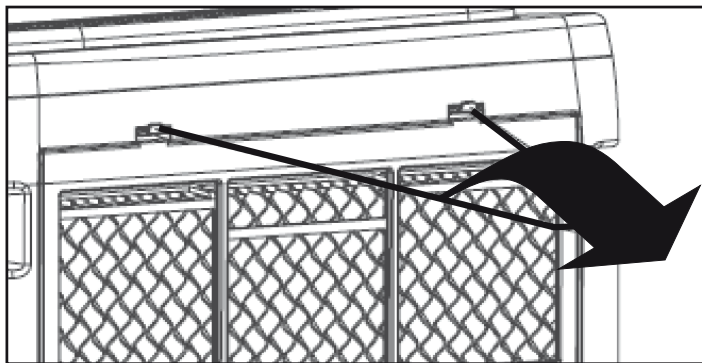
**After Use:** Set the cooler to standby. If you are not going to use the cooler for an extended period, switch the cooler off, unplug the unit from the mains and then empty the water.

**Do not leave water to stand in the tank for more than two days at the maximum. Always operate the cooler with clean fresh water.**

**NEVER OPERATE THE APPLIANCE WITH CLOGGED FILTERS OR MISSING FILTERS.**

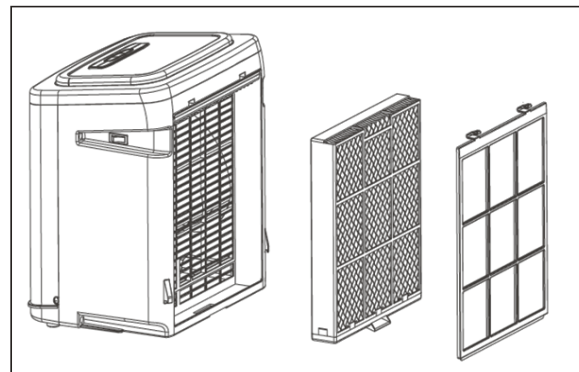
## CARE, MAINTENANCE AND STORAGE

Cleaning and maintenance should be carried out regularly, at least once a month, and more frequently if you are using the evaporative cooling function for extended periods several times a week. Cleaning should be done thoroughly to minimise any possible health risk. Before any cleaning or maintenance, switch the cooler off and unplug at the mains. First detach the cooler unit from the water tank. Place the cooler unit on a table or kitchen worktop close to a sink for easy access.



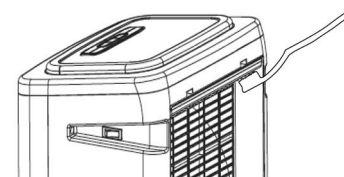
### Cleaning the inlet filter.

The filter cover is held in by two tabs. Hold both tabs down and then lift off the filter cover. The inlet filter comprises the filter cover, the filter and the filter trough.



Remove the filter and immerse the filter and the cover in warm soapy water. Brush them carefully with a soft brush to remove any deposits. Rinse thoroughly and allow to dry.

Brush out the trough, and all the holes with a small brush dipped in soapy water, rinse and dry. Re-assemble after cleaning.

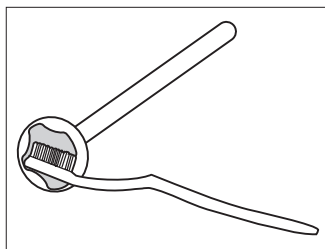




## CARE, MAINTENANCE AND STORAGE

### Cleaning the Inlet Hose Filter

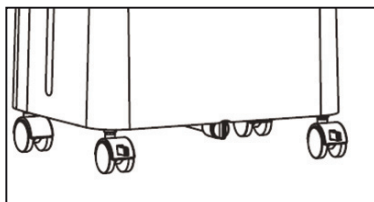
This filter is located at the end of the inlet hose. Failure to keep this filter clean will result in inefficient evaporative cooling and could cause a complete loss of cooling. Brush out the filter mesh with a small soft brush dipped in soapy water, rinse well and dry. Be especially careful not to damage the filter and the connecting hose when cleaning the filter.



### Cleaning the Water Tank

To empty the water, you may either empty the tank into the sink or use the drain plug at the base. Place the tank over a drain or outside the house and then open the drain plug.

Let the water drain out. Wash the tank out thoroughly with soapy water, rinse and dry. Now replace the drain plug.

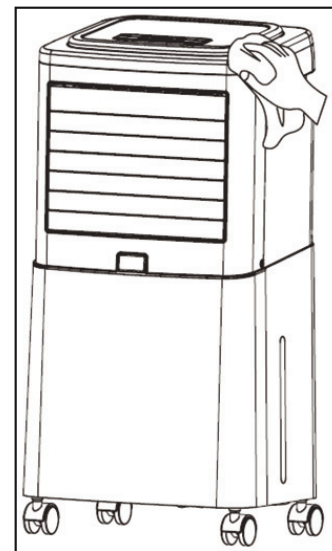


### Cleaning the Cooler Body

Brush any debris off the louvers and then wipe them carefully with a damp cloth. Close the louvers.

Gently clean the outer surfaces of the unit with a soft, lightly dampened cloth - take care to avoid water spilling onto the Control Panel and into the unit. Dry with a dry cloth.

**Never use chemical solvents, abrasives or abrasive cloths to clean any part of the unit.**



## STORAGE

If the unit is in regular use, store it fully assembled, but with the water tank empty and the louvres closed to avoid accidents.

For longer term storage, it may be preferable to store the unit disassembled with the cooler unit inverted and placed in the water tank. It is important to first dry the unit out (empty the water tank then run only the fan for a few hours) then store the appliance in a safe, dry location.

If stored disassembled, we recommend using the original (or appropriately sized) box. If stored assembled or disassembled but unboxed, protect the cooler from dust.

## TROUBLESHOOTING

If your unit does not operate as it should please work through this checklist before contacting Tesco. If you need to contact the helpline please have your receipt ready when you call.

### The unit does not start

Ensure the cooler is plugged into the mains socket, and the mains is switched on.  
The outlet louvres are closed.

### The unit makes a strange noise when operating

The air filter and/or the inlet hose filter is clogged.  
The unit is on 'Cooler' function and the water is running out or the tank is empty.

### No response to handset commands

The handset batteries are flat, there is not a clear line of sight between the handset and cooler.  
Point the handset at the control panel at the top of the cooler.

## WARRANTY AND SPECIFICATIONS

### WARRANTY

Your appliance is covered by a warranty for 12 months from the date of purchase. If a fault develops during this period, please return the unit to your nearest Tesco store together with the original receipt as proof of purchase. This warranty in no way affects your consumer rights.

### SPECIFICATIONS

Model:..... AC20L12  
Power:..... 220-240 V~ 50Hz, 80W  
Tank Capacity:..... 20 litres  
Noise Level:..... <60dB  
Product Weight: ..... 6.6 kg



This appliance is a Class II device and should not be connected to mains earth.



UK: Waste electrical products should not be disposed of with household waste. Separate disposal facilities exist, for your nearest facilities. See [www.recyclemore.co.uk](http://www.recyclemore.co.uk) or in-store for details.

ROI: Produced after 13th August 2005. Waste electrical products should not be disposed of with household waste. Please recycle where facilities exist. Check with your Local Authority or retailer for recycling advice.

## WAŻNE INFORMACJE DOTYCZĄCE BEZPIECZEŃSTWA

**Aby zagwarantować bezpieczeństwo oraz zmniejszyć ryzyko pożaru, obrażeń ciała i porażenia prądem elektrycznym, należy przestrzegać wszystkich wymienionych poniżej środków ostrożności.**

Zawsze podłączać urządzenie do źródła zasilania o napięciu, częstotliwości i natężeniu prądu zgodnych z danymi na tabliczce znamionowej.

Aby zmniejszyć ryzyko porażenia elektrycznego, nie używać urządzenia w połączeniu z regulatorami prędkości obrotowej zawierającymi elementy półprzewodnikowe.

Nie używać urządzenia z uszkodzonym przewodem zasilającym lub wtyczką, ani w przypadku, gdy działa nieprawidłowo, gdy zostało upuszczone lub uszkodzenie w jakikolwiek inny sposób. W takich sytuacjach kompletne urządzenie należy zwrócić do miejsca zakupu w celu przeprowadzenia przeglądu, naprawy lub wymiany.

Aby zmniejszyć ryzyko porażenia elektrycznego, nie doprowadzić do kontaktu urządzenia oraz

przewodu elastycznego z deszczem, wilgocią lub jakimikolwiek płynami. Nie używać urządzenia w oknie lub jego pobliżu.

Urządzenia nie należy używać w pobliżu wody, gdzie grozi zanurzenie lub rozbryzgi, np. obok wanny, zlewu, basenu itp.

Nigdy nie instalować urządzenia w miejscach, w których mogłoby zostać wystawione na działanie następujących czynników:

Źródła ciepła, takie jak radiatory, nawiewy ciepłego powietrza, piece lub inne urządzenia generujące ciepło.

Bezpośrednie nasłonecznienie

Nadmierne zapylenie

Wibracje mechaniczne lub wstrząsy

Brak wentylacji, np. w szafce lub biurku

Urządzenie należy wyłączyć i odłączyć od gniazdka zasilania, gdy nie jest używane, przed montowaniem lub wymontowywaniem jego części oraz przed przystąpieniem do czyszczenia.

Przed włączeniem należy całkowicie zmontować urządzenie.

**Uwaga: podczas instalowania lub serwisowania nie należy użyć tylko wyłącznika, ponieważ nie spowoduje to jego całkowitego odłączenia od zasilania.**

**Po wyłączeniu urządzenia należy odłączyć przewód zasilania od gniazdka. Odłączać chwytając za wtyczkę – nie ciągnąc za przewód.**

Unikać kontaktu z ruchomymi częściami urządzenia. Podczas pracy urządzenia nie wkładać obiektów lub palców przez kratki.

Podczas pracy urządzenia nie blokować go ani nie manipulować przy nim.

Nie zakrywać kratki ani filtra. Nie używać urządzenia w pobliżu firan itp.

Przed przemieszczeniem urządzenia zawsze wyjmować wtyczkę z gniazdka.

W trakcie pracy urządzenie powinno zawsze znajdować się na stabilnej, płaskiej, równej powierzchni, aby nie doprowadzić do obrócenia chłodnicy wyparnej.

## WAŻNE INFORMACJE DOTYCZĄCE BEZPIECZEŃSTWA

Nie prowadzić przewodu zasilania pod dywanem. Nie zakrywać przewodu zasilania narzutami lub listwami. Przewód zasilania poprowadzić z dala od miejsc, w których poruszają się osoby, aby nie doprowadzić do potknięcia się.

Przewód należy umieszczać z dala od źródeł ciepła, ostrych krawędzi oraz oleju.

Nie używać przedłużacza.

Urządzenie używać wyłącznie z prawidłowo przymocowanymi dostarczonymi kółkami.

Korzystanie z przystawek lub akcesoriów niezalecanych przez producenta lub nie sprzedawanych przez dystrybutora urządzenia może spowodować zagrożenie osób lub mienia. Urządzenie jest przeznaczone wyłącznie do użytku domowego.

Demontaż przez osoby nieupoważnione jest zabroniony.

Jeżeli przewód zasilający jest uszkodzony, w celu uniknięcia zagrożenia musi on zostać wymieniony przez producenta, autoryzowany serwis lub osobę posiadającą odpowiednie kwalifikacje.

Przed włączeniem wentylatora należy całkowicie zmontować urządzenie.

Z urządzenia mogą korzystać dzieci powyżej 8 roku życia oraz osoby o ograniczonej sprawności fizycznej, sensorycznej i psychicznej lub nieposiadające doświadczenia ani wiedzy pod warunkiem, że mają zapewniony nadzór lub instrukcje dotyczące użytkowania urządzenia w bezpieczny sposób oraz, że rozumieją zagrożenia związane z użytkowaniem. Dzieciom nie wolno bawić się urządzeniem. Dzieciom nie wolno wykonywać czyszczenia ani konserwacji urządzenia bez nadzoru.

Po zmontowaniu wentylatora zabrania się demontowania kratki (osłony) podczas czyszczenia.

## INFORMACJE DOTYCZĄCE ZASILANIA

Przed użyciem urządzenia należy sprawdzić, czy napięcie sieci zasilającej odpowiada parametrom podanym na urządzeniu.

Nie obsługiwać, ani nie wyłączać urządzenia poprzez włączanie i wyłączanie zasilania sieciowego. Należy do tego celu używać wyłącznika znajdującego się na urządzeniu.

Urządzenie jest odłączane od sieci zasilającej za pomocą wtyczki sieciowej. Gniazdko powinno być niezastłonięte i zawsze łatwo dostępne.

## ROZPAKOWANIE I MONTAŻ

### Zestaw zawiera następujące elementy:

- Schładzacz i zbiornik na wodę
- Cztery kółka, dwa kółka wolne, dwa blokujące.
- Pilot

Jeżeli brakuje jakiegokolwiek elementu lub jest on uszkodzony, należy się skontaktować z najbliższym sklepem Tesco.

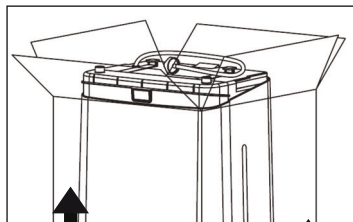
**Przed rozpoczęciem korzystania z urządzenia należy przeczytać całą instrukcję obsługi wraz z ostrzeżeniami. Przejrzeć uważnie wszystkie zalecenia dotyczące bezpieczeństwa. W przypadku przekazania urządzenia osobie trzeciej należy pamiętać, aby przekazać także tę instrukcję obsługi.**

### Krok 1:

Otworzyć klapy górne i wyjąć tacę akcesoriów.

Wyjąć urządzenie z opakowania.

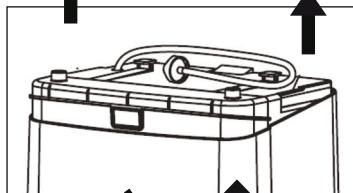
Zachować opakowanie na przyszłość. Opakowanie należy wyrzucić zgodnie z miejscowymi przepisami dotyczącymi recyklingu, obowiązującymi w Państwa miejscu zamieszkania.



### Krok 2:

Schładzacz jest zapakowany w pozycji odwróconej wewnątrz zbiornika wody.

Chwycić urządzenie za znajdujące się z boku uchwyty do przenoszenia i ostrożnie wyjąć.

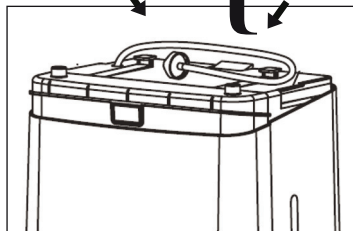


### Krok 3:

Rozłożyć ręcznik na podłodze.

Odwrócić schładzacz i umieścić go na ręczniku.

Ostrożnie odłączyć elastyczny przewód wlotowy od dwóch zatrzasków do jego przechowywania i pozostawić w taki sposób, aby zwiisał swobodnie.

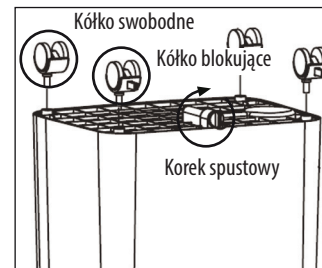


### Krok 4:

Odwrócić zbiornik wody.

Włożyć dwa kółka swobodne w mocowania z przodu zbiornika, a dwa kółka blokujące w mocowania z tyłu zbiornika. Wcisnąć kółka do końca i sprawdzić, czy są bezpiecznie przymocowane.

Sprawdzić, czy korek spustowy jest prawidłowo dokręcony. W celu dokręcenia obracać korek w prawo. Obracanie w lewo spowoduje jego poluzowanie.

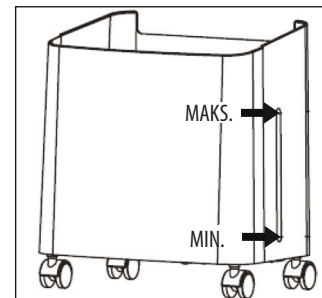


### Krok 5: Napełnianie zbiornika wodą (opcjonalnie)

Ustawić zbiornik wody pionowo.

Napełnić zbiornik czystą, chłodną wodą. Nie wolno używać substancji zapachowych ani innych dodatków. Sprawdzić, czy poziom wody zawiera się między oznaczeniem maksymalnym i minimalnym. Poziom wody powinien być zawsze widoczny we wzierniku.

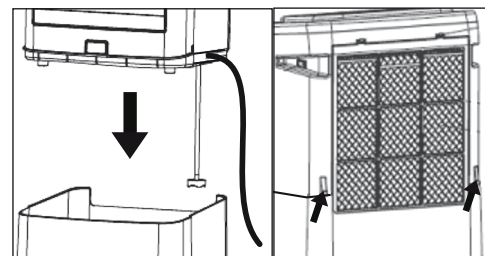
**NIE NAPEŁNIAĆ NADMIERNIE.**



### Krok 6:

Chwycić schładzacz za uchwyty i opuścić go do zbiornika wody. Upewnić się, że przewód elastyczny filtra znajduje się wewnątrz zbiornika.

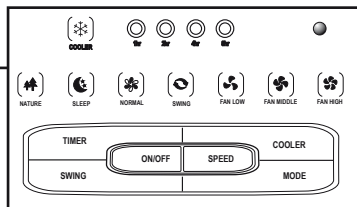
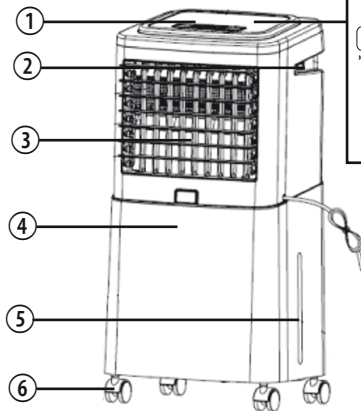
Sprawdzić, czy oba elementy są przymocowane przez dwie spinki z tyłu schładzacza.



**Teraz schładzacz jest gotowy do użytkowania.**

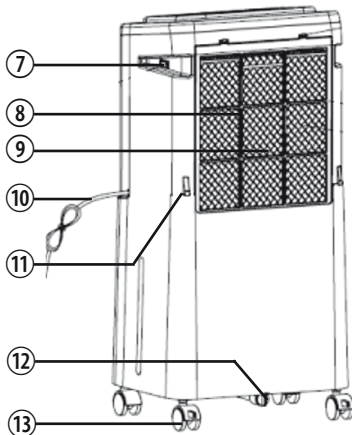
## INFORMACJE DOTYCZĄCE SCHŁADZACZA

### WIDOK Z PRZODU



1. Panel sterowania
2. Uchwyt do przenoszenia
3. Wylot powietrza z regulowanymi kratkami
4. Zbiornik wody (20 litrów)
5. Wziernik wskaźnika poziomu wody
6. Kółka swobodne
7. Wyłącznik zasilania
8. Kratka wlotu powietrza
9. Filtr wlotowy powietrza (za kratką)
10. Przewód zasilania
11. Zaczepy blokujące
12. Korek spustowy wylotu wody
13. Kółka blokujące

### WIDOK Z TYŁU



## FUNKCJE URZĄDZENIA

### Schładzacz może pracować w dwóch trybach:

**Standardowa praca wentylatora:** Schładzacz funkcjonuje jak konwencjonalny wentylator z silnikiem. W tym trybie w zbiorniku nie musi znajdować się woda.

**Schładzanie:** Jeśli w zbiorniku znajduje się woda, urządzenie można przełączyć do trybu schładzania. W tym trybie ciepłe powietrze z pokoju jest zasysane do urządzenia, przepuszczane przez filtr wlotowy, mieszane z wodą ze zbiornika i przekazywane przez filtr wylotowy w postaci bardzo drobnej mgiełki. Woda wyparowuje zaraz po zetknięciu się z powietrzem w pomieszczeniu, co powoduje powstanie chłodnej bryzy.

### Funkcje specjalne

Wszystkie funkcje są dostępne w trybie standardowego wentylatora oraz w trybie schładzania.

**Zmienna prędkość wentylatora:** Moc chłodzenia można regulować zmieniając prędkość wentylatora. Dostępne są trzy prędkości: niska, średnia i wysoka.

**Regulowane kratki:** Na wylocie wentylatora znajdują się dwa zestawy kratki. Kratki pionowe można wychylać pod kątem w górę lub w dół, zależnie od potrzeb. Poziome kratki są napędzane silnikiem elektrycznym.

**Wychylanie:** Poziome kratki oscylują w poziomie, dzięki czemu zapewniają większy zasięg urządzenia.

**Zegar:** Schładzacz może działać w sposób ciągły lub przez zaprogramowany czas 1, 2, 4 lub 8 godzin.

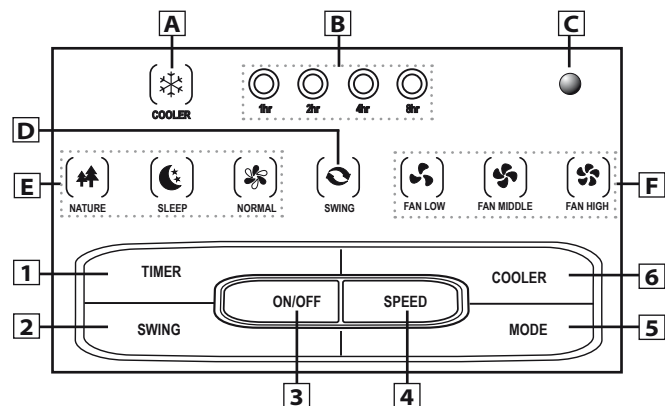
### Tryby pracy

**Normalny:** Schładzacz działa ze stałą prędkością ustawioną za pomocą regulatora prędkości.

**Natura:** Prędkość jest przełączana od wysokiej do zerowej, aby symulować naturalną bryzę. Natężenie bryzy zależy od ustawienia PRĘDKOŚCI.

**Uśpienie:** Ten tryb stanowi wariant trybu „Natura” i został zaadaptowany specjalnie z myślą o zapewnieniu przyjemnej bryzy na okres nocny.

## PANEL STEROWANIA



W dolnej części panelu sterowania znajdują się przyciski sterowania oznaczone numerami.

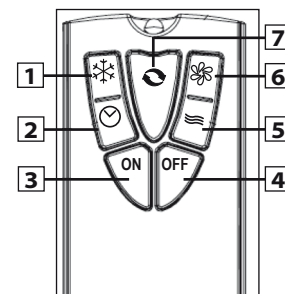
W górnej części panelu sterowania znajdują się wskaźniki stanu oznaczone literami.

- Zegar:** Nacisnąć, aby włączyć zegar. Można wybrać działanie przez 1, 2, 4 lub 8 bądź pracę ciągłą. Po włączeniu zegara zaświeci odpowiedni wskaźnik czasu B. Jeśli nie świecą żadne wskaźniki, schładzacz jest w trybie pracy ciągłej.
- Wychyłanie:** Nacisnąć, aby włączyć wychyłanie. W tym trybie poziome kratki oscylują w celu zapewnienia większego zakresu chłodzenia. Tryb wychyłania jest sygnalizowany przez wskaźnik D.
- WŁĄCZ/WYŁĄCZ:** Przełącza tryb pracy schładzacza lub przełącza w tryb czuwania. W trybie czuwania świeci tylko wskaźnik C. Wskaźnik trybu czuwania świeci zawsze, gdy schładzacz jest włączony.
- Prędkość:** Nacisnąć, aby wybrać niską, średnią lub wysoką prędkość wentylatora. Odpowiednia prędkość jest sygnalizowana przez wskaźnik F.
- Tryb:** Naciśnięcie tego przycisku powoduje zmianę trybu. Wybrany tryb jest sygnalizowany przez wskaźnik E. Tryby opisano na poprzedniej stronie.
- Schładzacz:** Nacisnąć, aby włączyć funkcję schładzacza. Wskaźnik schładzacza A zaświeci. Funkcję schładzacza można używać w połączeniu ze wszystkimi trybami pracy.

## PILOT

Za pomocą pilota można wybrać wszystkie funkcje dostępne z poziomu panelu sterowania.

- Schładzacz:** Wybór funkcji schładzacza.
- Zegar:** Wybór funkcji zegara.
- WŁ.:** Włączanie urządzenia.
- WYŁ.:** Ustawianie urządzenia w trybie czuwania.
- Prędkość:** Wybór prędkości wentylatora.
- Tryb:** Wybór trybu pracy.
- Wychyłanie:** Wybór funkcji wychyłania.

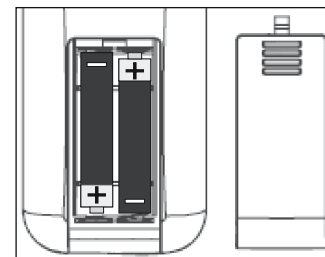


### Wkładanie baterii

Należy kupić 2 baterie AAA.

Otworzyć pokrywę. Zdjąć opakowanie baterii i umieścić je w komorze na baterie, zachowując odpowiednią polaryzację. Ponownie nałożyć pokrywę.

Zawsze należy stosować baterie AAA i wymieniać je jako komplet. Nigdy nie należy mieszać starych i nowych baterii. Słabe baterie mogą przeciekać i uszkodzić pilota. Należy je wymieniać odpowiednio wcześniej!



Nieprawidłowe postępowanie z bateriami stwarza ryzyko pożaru oraz oparzeń. Nie demontować, nie zgniatać, nie przebijać, nie zwiierać styków zewnętrznych ani nie wrzucać baterii do ognia lub wody. Nie należy próbować otwierać baterii ani jej serwisować. Zużyte baterie należy utylizować zgodnie z lokalnymi przepisami.

### Obsługa pilota

Skierować pilota w stronę panelu sterowania schładzacza i nacisnąć odpowiedni przycisk. Pilot powinien znajdować się w odległości maksymalnie 5 metrów od schładzacza. Na drodze wiązki pilota nie powinny znajdować się żadne obiekty.

## OBSŁUGA

Umieścić schładzacz na gładkiej, równej powierzchni.

Wokół urządzenia oraz ponad nim pozostawić odpowiednią ilość wolnego miejsca, aby zapewnić prawidłową cyrkulację powietrza. Aby zapewnić lepsze zabezpieczenie, nacisnąć wypusty na tylnych kółkach, aby je zablokować. Jeśli ma być używana funkcja schładzacza, upewnić się, że w zbiorniku jest wystarczająco dużo wody.

### Przesunąć wyłącznik w położenie WYŁ. (OFF).

Całkowicie rozwinąć przewód zasilający i włożyć wtyczkę do gniazdka sieci zasilającej. W razie potrzeby włączyć przy gnieździe sieciowym.

Ostrożnie umieścić palce pod górną i drugą od dołu kratką i unieść je w górę. Po otwarciu można je wychylać w górę i w dół zależnie od potrzeb.

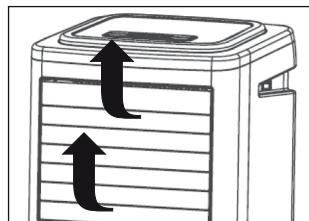
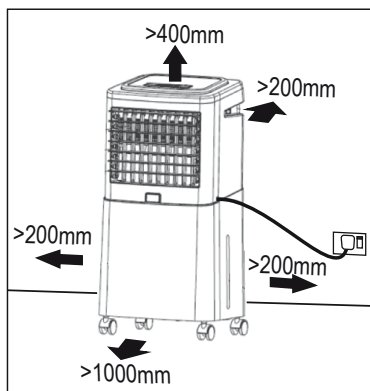
Przy zamkniętych kratkach aktywna jest funkcja zabezpieczająca uniemożliwiająca działanie schładzacza.

### WŁĄCZANIE I WYŁĄCZANIE

Przesunąć wyłącznik w położenie WŁ. (ON). Czerwona kontrolka trybu czuwania na schładzaczku zaświeci, wskazując jego gotowość do działania.

Aby wyłączyć tryb czuwania, nacisnąć przycisk ON (WŁ.) na pilocie lub wyłącznik na panelu sterowania. Domyślnie ustawiany jest normalny tryb pracy z niską prędkością wentylatora. Po podłączeniu schładzacza do sieci zasilającej jest on włączany po opuszczeniu przez schładzacz trybu czuwania.

Aby włączyć tryb czuwania, nacisnąć przycisk OFF (WŁ.) na pilocie lub wyłącznik na panelu sterowania. W trybie czuwania ostatni tryb pracy jest zachowywany w pamięci schładzacza. Jest on przywracany po kolejnym włączeniu urządzenia.



Jeśli urządzenie nie będzie używane przez dłuższy czas, należy je wyłączyć za pomocą wyłącznika i odłączyć od sieci zasilającej.

**Wybór prędkości wentylatora:** Nacisnąć przycisk SPEED (PRĘDKOŚĆ), aby wybrać niską, średnią lub wysoką prędkość wentylatora.

**Korzystanie z trybów:** Ustawić wymaganą prędkość, a następnie nacisnąć przycisk MODE (TRYB), aby zmienić tryb działania.

**Funkcja wychylania:** Nacisnąć przycisk SWING (WYCHYLANIE), aby włączyć lub wyłączyć oscylację poziomych krat.

**Wskazówka:** Naciśnięcie przycisku SWING (WYCHYLANIE) na krótko umożliwia regulację kierunku przepływu powietrza.

**Korzystanie z zegara:** Funkcja zegara umożliwia wybór pracy ciągłej lub ustawienie przełączania urządzenia do trybu czuwania po upływie określonego czasu. Można ją włączyć podczas działania dowolnego trybu.

**Chłodzenie wyparne:** Kiedy w zbiorniku znajduje się woda, nacisnąć przycisk COOLER (SCHŁADZACZ), aby włączyć funkcję chłodzenia wyparnego w urządzeniu. Zaświeci wskaźnik „COOLER” (SCHŁADZACZ) na panelu sterowania.

**UWAGA:** Jeśli w zbiorniku nie ma dosyć (lub wcale) wody, pompa będzie głośno pracować. Należy wówczas wyłączyć funkcję schładzacza lub wyłączyć urządzenie za pomocą wyłącznika oraz odłączyć je od sieci zasilającej przed napełnieniem zbiornika i rozpoczęciem pracy.

### Aby napełnić zbiornik:

Wyłączyć schładzacz i odłączyć go od sieci zasilającej.

Ostrożnie unieść schładzacz i umieścić go na równej powierzchni.

Napełnić zbiornik wody.

Ponownie zmontować schładzacz.

### NIGDY NIE UŻYWAĆ FUNKCJI SCHŁADZACZA, GDY W ZBIORNIKU ZNAJDUJE SIĘ NIEWYSTARCZAJĄCA ILOŚĆ WODY

**Po użyciu:** Ustawić schładzacz w trybie czuwania. Jeśli schładzacz nie będzie używany przez dłuższy okres czasu, odłączyć go od sieci zasilającej i spuścić wodę.

**Nie pozostawiać wody w zbiorniku na okres dłuższy niż dwa dni. Zawsze używać czystej, świeżej wody w urządzeniu.**

**NIGDY NIE UŻYWAĆ URZĄDZENIA Z ZATKANymi LUB BRAKUJĄcymi FILTRAMI.**

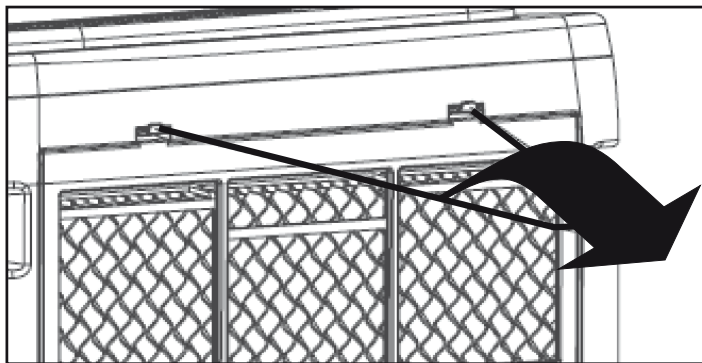


## KONSERWACJA, CZYSZCZENIE I PRZECHOWYWANIE

Czyszczenie i konserwację należy przeprowadzać regularnie, raz w miesiącu lub częściej, jeśli funkcja chłodzenia wyparnego jest używana kilka razy w tygodniu przez wydłużony okres czasu. Czyszczenie należy przeprowadzać dokładnie, aby zminimalizować wszelkie zagrożenia dla zdrowia.

Przed przystąpieniem do czyszczenia lub konserwacji wyłączyć schładzacz i odłączyć go od sieci zasilającej.

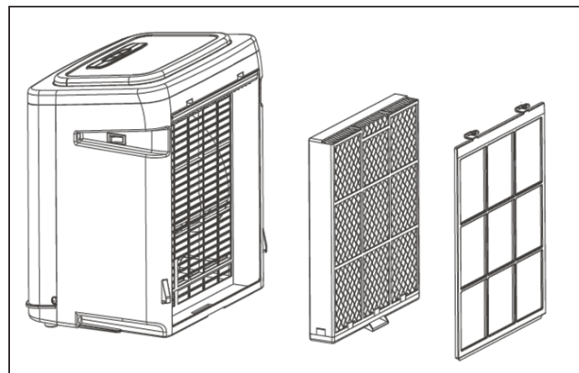
Najpierw odłączyć schładzacz od zbiornika wody. Umieścić schładzacz na stole lub blacie kuchennym w pobliżu zlewozmywaka, aby ułatwić dostęp do jego elementów.



### Czyszczenie filtra wlotowego

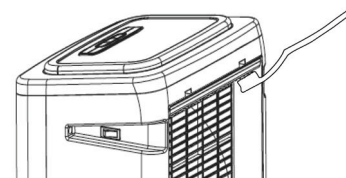
Pokrywa filtra jest przymocowana dwoma zaczepami. Nacisnąć oba zaczepy i unieść pokrywę filtra.

Filtr wlotowy składa się z pokrywy, filtra i korytka filtra.



Wyjąć filtr i zanurzyć go wraz z pokrywą w roztworze ciepłej wody z mydłem. Ostrożnie wyczyścić elementy miękką szczotką, aby usunąć wszelkie osady. Dokładnie przepłukać i pozostawić do wyschnięcia.

Oczyścić korytko i wszystkie otwory za pomocą niewielkiego pędzla zanurzonego w mydlanej wodzie, a następnie przepłukać i wysuszyć. Ponownie zmontować schładzacz.

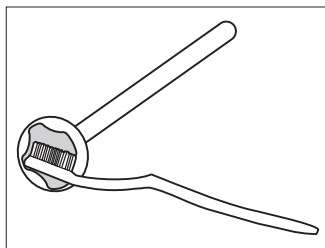


## KONSERWACJA, CZYSZCZENIE I PRZECHOWYWANIE

### Czyszczenie przewodu elastycznego przewodu wlotowego

Filtr znajduje się na końcu elastycznego przewodu wlotowego. Nieprzestrzeganie zaleceń dotyczących czyszczenia filtra powoduje niewystarczające chłodzenie wyparne i może doprowadzić do sytuacji, w której urządzenie nie będzie w ogóle chłodzić. Wyczyścić siatkę filtra niewielką szczotką nasączoną roztworem wody z mydłem, a następnie dokładnie przepłukać i wysuszyć.

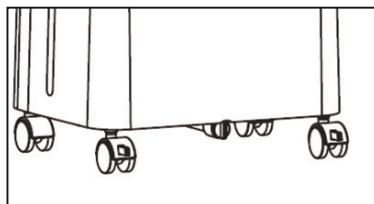
Szczególnie uważać, aby podczas czyszczenia filtra nie uszkodzić filtra oraz elastycznego przewodu łączącego.



### Czyszczenie zbiornika wody

W celu spuszczenia wody można opróżnić zbiornik do zlewu lub użyć korka spustowego w podstawie. Umieścić zbiornik przy punkcie spustowym lub poza obudową, a następnie otworzyć korek spustowy.

Poczekać aż woda zostanie spuszczona. Dokładnie umyć zbiornik wodą z mydłem, a następnie przepłukać i wysuszyć. Wymienić korek spustowy.

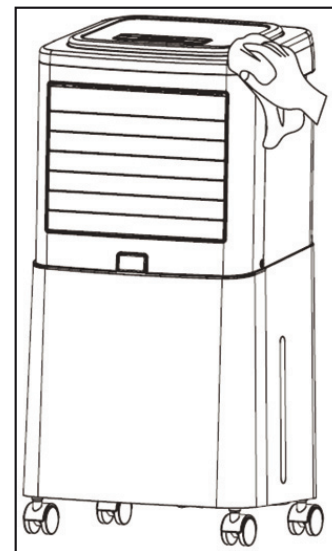


### Czyszczenie obudowy schładzacza

Usunąć zanieczyszczenia z kratki, a następnie przetrzeć je ostrożnie wilgotną szmatką. Zamknąć kratki.

Delikatnie wyczyścić zewnętrzne powierzchnie urządzenia miękką, lekko zwilżoną szmatką. Podczas wykonywania tej czynności uważać, aby woda nie przedostała się do panelu sterowania i do urządzenia. Osuszyć suchą szmatką.

**Do czyszczenia elementów urządzenia nigdy nie używać chemicznych rozpuszczalników, materiałów ściernych.**



## PRZECHOWYWANIE

Jeśli urządzenie jest regularnie użytkowane, w celu zapobieżenia wypadkom przechowywać je w postaci całkowicie złożonej, jednak z pustym zbiornikiem wody i zamkniętymi kratkami.

W przypadku długotrwałego przechowywania korzystne może okazać się rozłożenie urządzenia i przechowywanie go z modulem schładzacza odwróconym i umieszczonym w zbiorniku wody. Ważne jest, aby najpierw osuszyć urządzenie (opróżnić zbiornik wody, a następnie włączyć tylko wentylator na kilka godzin), a następnie przechowywać urządzenie w bezpiecznym, suchym miejscu.

W przypadku przechowywania w postaci rozłożonej używać oryginalnego opakowania (lub opakowania o podobnych rozmiarach).

Jeśli urządzenie jest przechowywane bez opakowania (niezależnie od tego, czy jest rozłożone, czy też złożone), zabezpieczyć schładzacz przed kurzem.

## ROZWIĄZYWANIE PROBLEMÓW

Jeśli urządzenie działa nieprawidłowo, przed kontaktem z Tesco wykonać czynności opisane w niniejszej liście kontrolnej. Jeśli konieczne jest skontaktowanie się z centrum pomocy technicznej, przed wybraniem numeru przygotować rachunek.

### Urządzenie nie włącza się

Upewnić się, że schładzacz jest podłączony do gniazdka sieci zasilającej oraz że w sieci jest prąd. Kratki wylotowe są zamknięte.

### Urządzenie wydaje dziwne odgłosy podczas pracy

Filtr powietrza i/lub filtr elastycznego przewodu wlotowego jest zatkany.

Urządzenie jest przełączone do funkcji schładzacza i wycieka woda lub zbiornik jest pusty.

### Brak reakcji na sygnały z pilota

Baterie pilota są rozładowane lub na drodze jego wiązki biegnącej do schładzacza znajdują się przeszkody.

Skierować pilota w stronę panelu sterowania znajdującego się w górnej części schładzacza.

## GWARANCJA I DANE TECHNICZNE

### INFORMACJA KONSUMENCKA

Tesco odpowiada za wady produktów marki Tesco w okresie do dwudziestu czterech miesięcy od daty ich sprzedaży. Jeżeli w tym okresie wystąpią usterki, należy skontaktować się z placówką TESCO, przedstawiając oryginalny dowód zakupu.

### DANE TECHNICZNE

Model:.....AC20L12

Zasilanie:.....220-240 V~ 50 Hz, 80 W

Pojemność zbiornika: .....20 l

Poziom hałas: .....< 60 dB

Waga:.....6,6 kg.



Produkt jest urządzeniem klasy II i nie powinien być podłączany do uziemienia sieci zasilającej.



Nie wyrzucać zużytych urządzeń elektrycznych i elektronicznych, baterii i akumulatorów razem z odpadami komunalnymi, ze względu na obecność niebezpiecznych dla środowiska substancji. Tego typu odpady należy przekazać do punktu zbiórki w celu poddania recyklingowi. Informacja o punktach zbiórki dostępna jest u lokalnych władz samorządowych lub w placówkach handlowych.

## DŮLEŽITÉ BEZPEČNOSTNÍ POKYNY

**V zájmu snížení rizika požáru, poranění nebo úrazu elektrickým proudem dodržujte prosím všechna dále uvedená bezpečnostní upozornění.**

Vždy používejte výrobek za využití hodnot napájení, frekvence a dimenzace v souladu s hodnotami na typovém štítku výrobku.

V zájmu snížení rizika úrazu elektrickým proudem neovládejte tento výrobek polovodičovými zařízeními.

Neuvádějte přístroj do provozu, má-li poškozený přívodní kabel nebo zástrčku, správně nefunguje, spadl na zem nebo je jinak poškozen. Vraťte celý výrobek v místě zakoupení, kde jej prohlédnou, opraví nebo vymění.

V zájmu snížení rizika úrazu elektrickým proudem neponořujte výrobek do vody ani jej či přívodní kabel nevystavujte dešti, vlhkosti či jiné kapalině.

Nepoužívejte výrobek v okně či jeho blízkosti.

Nepoužívejte výrobek v bezprostřední blízkosti vody, například u van, umyvadel, bazénů a podobně, kde může spadnout do vody či být postříkán.

Nikdy neinstalujte výrobek v místech, kde může být vystaven:

zdrojům tepla, jako jsou radiátory, výměníky tepla, sporáky a jiným výrobkům vydávajícím teplo,

přímému slunečnímu záření,  
nadměrnému množství prachu,

mechanickým otřesům nebo nárazům,

nedostatečnému větrání, např. v regálech s knihami nebo ve skříni.

Pokud nebudete výrobek používat nebo jej chcete sestavit či rozebrat, vypněte jej a odpojte jej od zásuvky.

Před zapnutím výrobek zcela sestavte.

**Varování: Při instalaci či servisu nespolehejte na vypínač výrobku jako na jediný prostředek odpojení od napájení.**

**Po vypnutí výrobku odpojte přívodní kabel ze zásuvky. Zástrčku odnímejte uchopením za její tělo, nikoli vytažením za kabel.**

Nedotýkejte se pohyblivých částí. Během provozu výrobku nestrkejte do lamel chladiče žádné předměty ani prsty.

Neblokujte ani jinak neupravujte výrobek během jeho provozu.

Necloňte lamely ani filtr a nepoužívejte výrobek blízko závěsů apod.

Před přenášením vytáhněte výrobek ze zásuvky.

Před použitím vždy umístěte výrobek na stabilní a rovnou plochu, aby se nepřevrhl.

Neved'te napájecí kabel pod koberec. Nezakrývejte přívodní kabel koberečky ani běhouny. Ved'te přívodní kabel mimo průchozí místa, aby o něj nikdo nezakopl.

Nevystavujte kabel žáru, ostrým hranám a oleji.

Nepoužívejte prodlužovací kabel.

Nepoužívejte výrobek, pokud nejsou dodaná kolečka řádně namontována na výrobek.

V důsledku použití přídatných zařízení nebo příslušenství, které nedoporučuje nebo prodává distributor výrobku, může dojít k úrazu osob nebo poškození majetku.

## DŮLEŽITÉ BEZPEČNOSTNÍ POKYNY

Tento výrobek je určen pouze pro normální použití v domácnosti.

Jakékoli jeho rozebrání nepovolnou osobu není povoleno.

Výměnu poškozeného rozvodného kabelu smí z bezpečnostních důvodů provádět pouze výrobce, pracovník schváleného servisu nebo podobně kvalifikovaný pracovník.

Před zapnutím spotřebič zcela sestavte.

Tento spotřebič mohou používat děti od 8 let a osoby se sníženými tělesnými, smyslovými nebo duševními schopnostmi a osoby postrádající potřebné zkušenosti nebo znalosti, pokud jsou pod dohledem nebo byly poučeny o jeho bezpečném používání a uvědomují si možná rizika. Se spotřebičem si nesmějí hrát děti. Čištění a běžnou uživatelskou údržbu nesmějí provádět děti bez dozoru.

Jakmile je spotřebič sestaven, je zakázáno při čištění demontovat mřížky (kryty).

## INFORMACE O PŘIPOJENÍ K ELEKTRICKÉ SÍTI

Před použitím výrobku ověřte, zda napětí elektrického rozvodu odpovídá hodnotě uvedené na typovém štítku.

Nespouštějte výrobek ani jej nezastavujte zapnutím či vypnutím síťového rozvodu. Používejte vypínač na výrobku.

Výrobek lze odpojit od sítě vytažením zástrčky ze zásuvky. Ta nesmí být zakrytá a musí být vždy provozuschopná.

## VYBALENÍ A SESTAVENÍ

### Balení obsahuje:

- chladicí jednotku a vodní nádrž,
- čtyři kolečka: dvě volná, dvě s pojistkou,
- dálkový ovladač.

Pokud některá část chybí nebo je poškozená, obraťte se na nejbližší prodejnu Tesco.

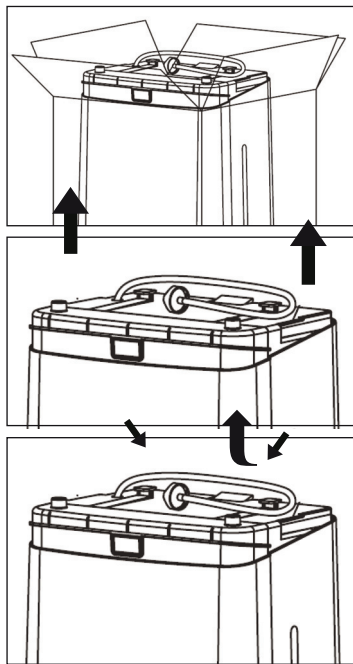
**Před použitím si přečtěte všechny pokyny a upozornění v tomto návodu. Věnujte pozornost zejména bezpečnostním pokynům. Pokud tento výrobek dáte třetí osobě, předejte jí i tento návod.**

### 1. krok:

Otevřete horní chlopně krabice a odejměte pomocný kryt.

Vyjměte jednotku z balení.

Obal uchovejte pro další použití. Při případné likvidaci postupujte v souladu s platnými předpisy o recyklaci.



### 2. krok:

Chladič je zabalen vevnitř vodní nádrže v obrácené poloze.

Pozvolna vytáhněte výrobek uchopením za postranní madla.

### 3. krok:

Umístěte na zem ručníc.

Otočte chladič do normální polohy a položte jej na ručníc.

Opatrně odpojte vstupní hadici od dvou úložných příchytek a nechte ji volně viset.

### 4. krok:

Otočte vodní nádrž do normální polohy.

Vložte dvě volná kolečka do montážních otvorů vpředu nádrže a dvě pojistná kolečka do montážních otvorů v zadní části nádrže. Zatlačte kolečka zcela dovnitř a ověřte, zda jsou pevně zajištěna.

Ověřte, zda je zcela utažena vypouštěcí zátka. Případně zátku utáhněte otočením po směru hodinových ručiček (opačným směrem ji uvolníte).

### 5. krok: Plnění vodní nádrže (volitelně)

Postavte vodní nádrž do vzpřímené polohy. Naplňte vodní nádrž chladnou čistou vodou. Nepoužívejte vůně ani jiné přísady. Ověřte, zda je hladina vody mezi značkami pro minimum a maximum. Měli byste vždy vidět hladinu vody v průzoru.

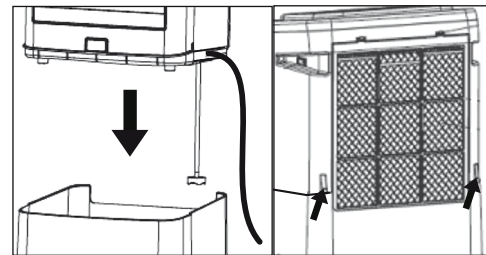
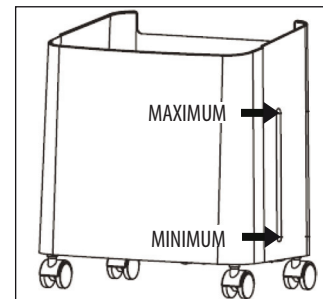
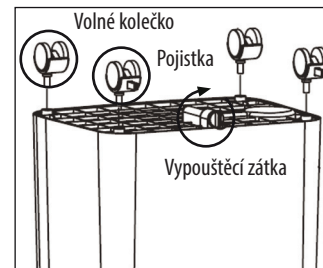
**NEPŘEPLŇUJTE NÁDRŽ.**

### 6. krok:

Uchopte chladič za madla a nasuňte jej na vodní nádrž. Zajistěte, aby hadice filtru byla uvnitř nádrže.

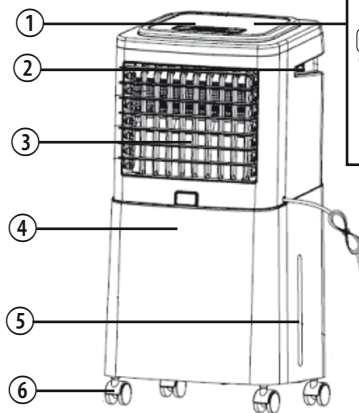
Ověřte, zda jsou obě jednotky zajištěny dvěma pojistkami v zadní části chladiče.

**Chladič je nyní připraven k použití.**

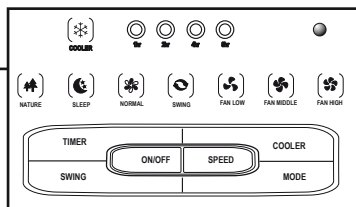
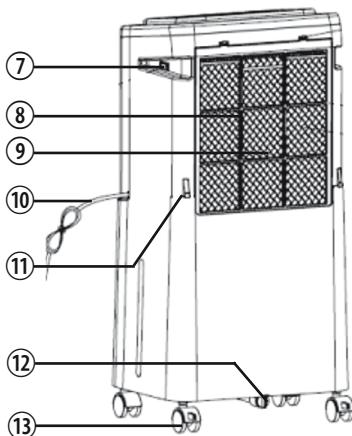


## TECHNICKÉ ÚDAJE

### POHLED ZEPŘEDU



### POHLED ZE ZADU



1. Ovládací panel
2. Madlo
3. Vývod vzduchu se seřiditelnými lamelami
4. Vodní nádrž (20 litrů)
5. Průzor na hladinu vody
6. Volná kolečka
7. Vypínač
8. Mřížka přívodu vzduchu
9. Filtr na přívodu vzduchu (za mřížkou)
10. Přívodní kabel
11. Bezpečnostní pojistky
12. Vypouštěcí zátka pro odvod vody
13. Pojistná kolečka

## PROVOZNÍ VLASTNOSTI

### Chladič má dva hlavní provozní režimy:

**Režim ventilátoru:** Chladič funguje na principu tradičního motorového ventilátoru. V tomto režimu není nutné, aby byla v nádrži voda.

**Režim chlazení:** Pokud je voda v nádrži, lze jednotku přepnout do režimu chlazení. V tomto režimu nasává jednotka teplý vzduch v místnosti přes vstupní filtr, smíchá jej s vodou v nádrži a vyvede přes výstupní filtr jako velmi jemnou mlhu. Voda se při styku se vzduchem v místnosti okamžitě vypaří a ochladí jej.

### Speciální vlastnosti

Všechny tyto vlastnosti jsou dostupné v režimu standardního ventilátoru nebo chlazení.

**Proměnné otáčky ventilátoru:** Intenzitu chlazení lze měnit úpravou otáček ventilátoru. K dispozici jsou tři rychlosti: Low (Nízká), Middle (Střední) a High (Vysoká).

**Nastavitelné lamely:** Na výstupu ventilátoru jsou dvě sady lamel. Svislé lamely lze ručně natočit nahoru a dolů dle potřeby a vodorovné lamely lze elektricky ovládat.

**Natažení:** Vodorovné lamely se vodorovně natačejí a zajišťují tak větší provozní dosah.

**Časovač:** Chladič můžete používat nepřetržitě nebo po předem nastavenou dobu 1, 2, 4 nebo 8 hodin.

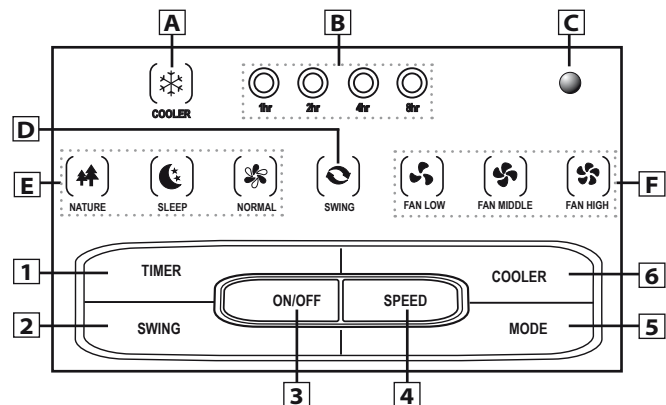
### Provozní režimy

**Normal (Normální):** Chladič funguje při stálých otáčkách dle nastavení na ovladači otáček.

**Nature (Přirozený):** Cyklus otáček od maxima po zastavení simuluje přirozené proudění vzduchu. Změna intenzity ventilace závisí na nastavení hodnoty SPEED (Otáčky).

**Sleep (Noční):** Tento režim je variantou přirozeného režimu a simuluje příjemné noční proudění vzduchu.

## OVLÁDACÍ PANEĽ



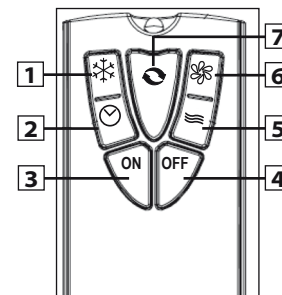
Ovládací tlačítka jsou na dolní části ovládacího panelu a jsou označena čísly. Stavové kontrolky jsou v horní části panelu a jsou označeny písmeny.

- 1. Timer (Časovač):** Po stisknutí lze nastavit použití časovače. Můžete zvolit 1, 2, 4 a 8 hodin nebo nepřetržitý provoz. Po volbě časovače se rozsvítí odpovídající kontrolka B. Pokud na chladiči nesvítí žádná kontrolka časovače, je v nepřetržitém provozu.
- 2. Swing (Natáčení):** Stisknutím zvolíte režim natáčení. V tomto režimu se vodorovné lamely natáčí a zvětšují tak dosah chlazení. Režim otáčení signalizuje kontrolka D.
- 3. ON/OFF (Zapnuto/vypnuto):** Přepne chladič do provozního režimu nebo do pohotovostního. V pohotovostním režimu svítí pouze kontrolka C. Kontrolka pohotovostního režimu svítí i při chodu chladiče.
- 4. Speed (Otáčky):** Stisknutím zvolíte otáčky ventilátoru: Low (Nízké), Medium (Střední) a High (Vysoké). Příslušné otáčky signalizuje na ventilátoru písmeno F.
- 5. Mode (Režim):** Stisknutím tohoto tlačítka změňte režim. Zvolený režim signalizuje kontrolka režimu E. Režimy jsou popsány na předchozí stránce.
- 6. Cooler (Chladič):** Stisknutím zvolíte režim chlazení. Rozsvítí se kontrolka chlazení A. Režim chlazení lze spojit se všemi provozními režimy.

## DÁLKOVÝ OVLADAČ

Ovladač má stejné funkce jako ovládací panel.

- 1. Cooler (Chladič):** Zvolíte režim chladiče.
- 2. Timer (Časovač):** Zvolíte režim časovače.
- 3. ON (Zapnout):** Zapnete jednotku.
- 4. OFF (Vypnout):** Přepnete jednotku do pohotovostního režimu.
- 5. Speed (Otáčky):** Zvolíte otáčky ventilátoru.
- 6. Mode (Režim):** Zvolíte provozní režim.
- 7. Swing (Natáčení):** Zvolíte provoz natáčení.

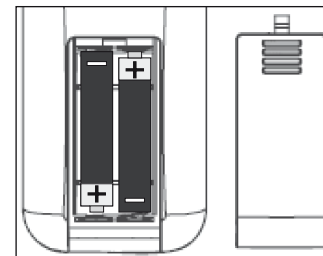


### Vložení baterií

Je nutné koupit 2 baterie typu AAA.

Otevřete kryt baterií. Vylalte baterie a umístěte je do prostoru pro baterie v poloze dle znázornění. Nasadte kryt.

Vždy používejte baterie typu AAA a vždy je vyměňujte v sadách. Nikdy nekombinujte staré baterie s novými. Slabé baterie mohou vytéct a poškodit ovladač. Vyměňujte baterie včas.



Při nesprávné manipulaci s bateriemi může dojít k požáru a popáleninám. Baterie nerozebírejte, nedrťte, nepropichujte, nezkratujte a nevhazujte do ohně ani do vody. Nepokoušejte se baterie otevírat či provádět jejich údržbu. Použité baterie likvidujte v souladu s platnými místními recyklačními předpisy.

### Ovládání ovladačem

Namířte dálkový ovladač na ovládací panel chladiče a stiskněte příslušné tlačítko.

Ovladač by měl být v dosahu 5 metrů od chladiče a mezi chladičem a ovladačem by neměla být překážka.

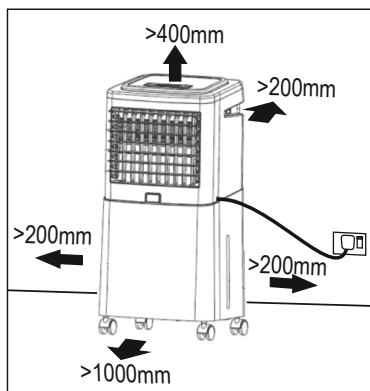


## PROVOZ

Umístěte chladíč na hladký rovný povrch. Ponechte kolem něj i nad ním dostatek místa za účelem dobré cirkulace vzduchu. V zájmu posílení bezpečnosti zajistěte zadní kolečka stlačením pojistek na kolečkách. Pokud chcete použít chladíč, zajistěte, aby bylo v nádrži dostatek vody.

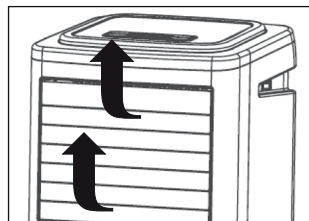
### Přepněte vypínač do vypnuté polohy (OFF).

Zcela rozviňte přívodní kabel a připojte výrobek k síťové zásuvce. Pokud je to nutné, zapněte síťový rozvod.



Opatrně vložte prsty pod horní a pod druhé nejnižší lamely a nadzvedněte je. Po otevření je můžete natočit nahoru a dolů dle potřeby.

**Pokud jsou lamely zavřeny, chladíč v zájmu bezpečnosti nefunguje.**



### ZAPNUTÍ A VYPNUTÍ

Přepněte vypínač na chladíči do zapnuté polohy (ON). Rozsvítí se červené pohotovostní světlo na znamení toho, že je chladíč připraven k provozu.

Chcete-li chladíč přepnout z pohotovostního režimu, stiskněte tlačítko ON na dálkovém ovladači nebo vypínač ON/OFF na ovládacím panelu. Výchozí provozní režim je Normal (Normální) s nízkými otáčkami ventilátoru (Low). Tento režim se spustí při přepnutí chladíče z pohotovostního režimu, pokud zapnete chladíč síťovým vypínačem.

Chcete-li chladíč přepnout do pohotovostního režimu, stiskněte tlačítko OFF na dálkovém ovladači nebo tlačítko ON/OFF na ovládacím panelu. V pohotovostním režimu se do paměti chladíče ukládá naposledy zvolený provozní režim, který je po dalším spuštění obnoven.

Pokud jednotku nebudete po delší dobu používat, vypněte ji a odpojte ji od síťové zásuvky.

**Volba otáček ventilátoru:** Stisknutím tlačítka SPEED (Otáčky) zvolíte otáčky ventilátoru: Low (Nízké), Middle (Střední) a High (Vysoké).

**Použití režimů:** Nastavte požadované otáčky a poté stisknutím tlačítka MODE (Režim) změňte provozní režim.

**Funkce Swing (Natočit):** Stisknutím tlačítka SWING (Natočit) vypnete či zapnete natáčení vodorovných lamel.

**Tip:** Rychlým zapnutím a vypnutím tlačítka SWING (Natočit) můžete nasměrovat tok vzduchu libovolným směrem.

**Použití časovače:** Funkce časovače vám umožňuje zvolit nepřetržitý provoz nebo nastavit jednotku tak, aby se přepnula po stanovené době do pohotovostního režimu. Tuto funkci lze použít v každém režimu.

**Chlazení odpařováním:** Pokud je v nádrži voda, stisknutím tlačítka COOLER (Chladíč) spustíte funkci chlazení odpařováním. Na ovládacím panelu se rozsvítí kontrolka COOLER (Chladíč).

**POZNÁMKA:** Pokud není v nádrži dostatek vody (nebo žádná), zvýší se hloučnosť vodního čerpadla. V takovém případě byste měli před doplněním vodní nádrže a opětovného spuštění provozu vypnout funkci chlazení nebo vypnout chladíč jeho vypínačem a odpojit jej od sítě.

### Doplnění nádrže:

Vypněte chladíč a odpojte jej od napájení.

Opatrně vyzvedněte chladíč a umístěte jej na rovnou plochu.

Doplňte vodní nádrž.

Znovu sestavte chladíč.

### NIKDY NESPOUŠTĚJTE FUNKCI CHLAZENÍ S NEDOSTATKEM VODY V NÁDRŽI

**Po použití:** Přepněte přístroj do pohotovostního režimu. Pokud nebudete chladíč po delší dobu používat, vypněte jej, odpojte jej od napájení a poté vypusťte vodu.

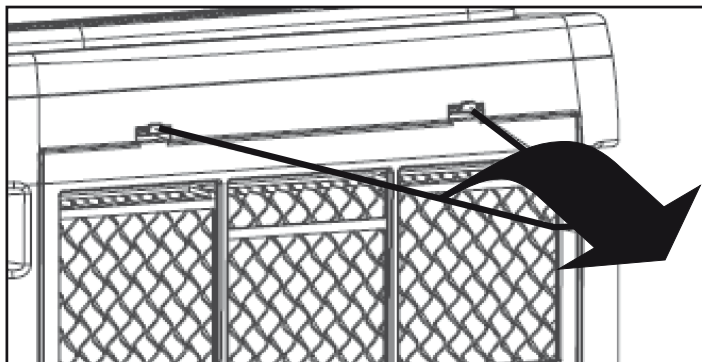
**Nenechávejte vodu v nádrži déle než 2 dny. Chladíč vždy používejte s čistou čerstvou vodou.**

**NIKDY JEDNOTKU NESPOUŠTĚJTE S UCPANÝMI NEBO CHYBĚJÍCÍMI FILTRY.**

## ÚDRŽBA, ČIŠTĚNÍ A SKLADOVÁNÍ

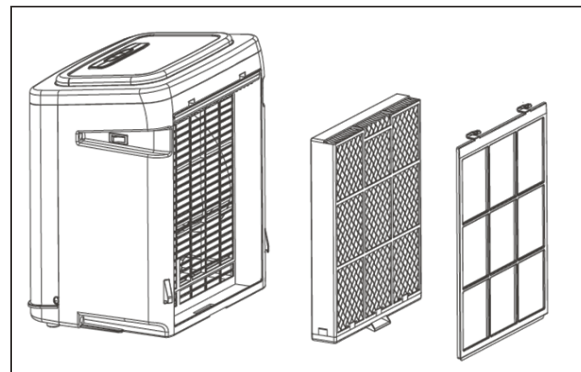
Čištění a údržbu je nutné provádět pravidelně aspoň jednou za měsíc. Pokud používáte chlazení odpařováním po delší intervaly několikrát týdně, čistěte jednotku častěji. Čištění je nutné v zájmu minimalizace rizika ohrožení zdraví provádět řádně.

Chcete-li ventilátor vyčistit či na něm provést údržbu, nejdříve jej vypněte a odpojte od napájení. Nejdříve odpojte jednotku od vodní nádrže. Umístěte jednotku chladiče na stůl nebo na kuchyňský pult poblíž dřezu.



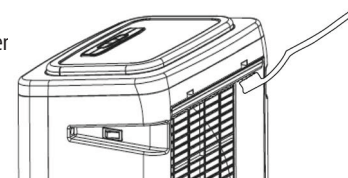
### Vyčistěte vstupní filtr.

Kryt filtru zajišťují dva výstupky. Stlačte oba výstupky dolů a odejměte kryt filtru. Vstupní filtr obsahuje kryt filtru, filtr a filtrační vanu.



Odeberte filtr a ponořte jej spolu s krytem do teplé mýdlové vody. Řádně je okartáčujte měkkým kartáčem, abyste odstranili všechny nečistoty. Řádně je opláchněte a nechte oschnout.

Okartáčujte vanu a všechny otvory kartáček namočeným v mýdlové vodě, opláchněte osušte. Znovu sestavte chladič.

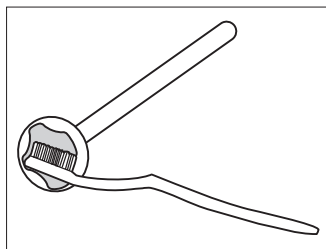


## ÚDRŽBA, ČIŠTĚNÍ A SKLADOVÁNÍ

### Vyčistěte filtr vstupní hadice

Tento filtr se nachází na konci vstupní hadice. Pokud tento filtr nebudete udržovat čistý, nebude docházet k dostatečnému chlazení vypařováním a může dojít k úplnému výpadku chlazení. Okartáčujte síto filtru měkkým kartáčkem namočeným v mýdlové vodě, dobře opláchněte a osušte.

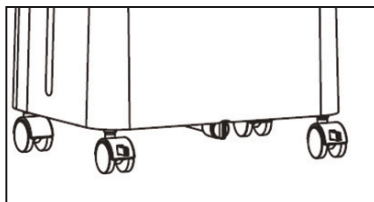
Dávejte zejména pozor, abyste při čištění filtru nepoškodili filtr a spojovací hadici.



### Čištění vodní nádrže

Chcete-li vypustit vodu, můžete nádrž vylít do dřezu nebo ji vypustit pomocí vypouštěcí zátky na základně. Umístěte nádrž nad výpust nebo vyjděte ven z domu a vytáhněte vypouštěcí zátku.

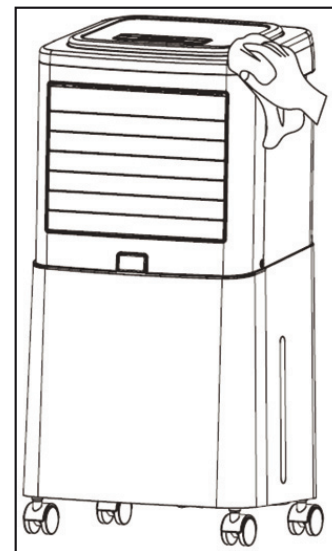
Nechejte vypustit vodu. Řádně vymyjte nádrž mýdlovou vodou, opláchněte ji a osušte. Vraťte vypouštěcí zátku na místo.



### Čištění těla chladiče

Okartáčujte všechny nečistoty z lamel a otřete je opatrně vlhkou tkaninou. Zavřete lamely. Opatrně očistěte vnější plochy jednotky měkkou, mírně navlhčenou tkaninou – dbejte, aby se voda nevylila na ovládací panel nebo do jednotky. Osušte suchou tkaninou.

**Nikdy k čištění jakékoli součásti jednotky nepoužívejte chemická rozpouštědla, abraziva ani abrazivní tkaniny.**



## SKLADOVÁNÍ

Pokud jednotku pravidelně používáte, skladujte ji zcela sestavenou, ale s vyprázdněnou vodní nádrží a zavřenými lamelami, aby nemohlo dojít k nehodě.

Při dlouhodobějším skladování je lepší jednotku skladovat rozebranou s jednotkou chladiče uloženou v obrácené poloze ve vodní nádrži. Je důležité nejdříve jednotku vysušit (vyprázdňete vodní nádrž a poté několik hodin spustíte pouze ventilátor) a poté ji uskladnit na bezpečném a suchém místě.

Pokud budete jednotku skladovat rozebranou, doporučujeme použít původní krabici (nebo krabici obdobné velikosti).

Pokud budete jednotku skladovat sestavenou nebo rozebranou, ale nikoli v krabici, ochraňte ji před prachem.

## ODSTRAŇOVÁNÍ ZÁVAD

**Pokud jednotka nefunguje, jak by měla, postupujte před jejím odnesením do prodejny Tesco podle následujícího seznamu. Při telefonování na linku podpory si připravte stvrzenku od výrobku.**

### Jednotku nelze spustit

Ověřte, zda je chladič připojen k síťové zásuvce a síť je pod napětím.  
Výstupní lamely jsou zavřeny.

### Jednotka vydává za chodu divné zvuky

Vzduchový filtr a/nebo filtr vstupní hadice je ucpaný.  
Jednotka je v režimu Cooler (Chladič) a voda dochází nebo je nádrž prázdná.

### Dálkový ovladač nereaguje

Baterie dálkového ovladače jsou vybité; mezi ovladačem a chladičem je překážka.  
Namířte dálkový ovladač na ovládací panel na horní části chladiče.

## ZÁRUKA A TECHNICKÉ ÚDAJE

### ZÁRUKA

Na tento výrobek se vztahuje dvouletá záruka od data nákupu. Pokud během tohoto období vznikne porucha, laskavě se obraťte na nejbližší prodejnu Tesco. Laskavě s sebou přineste originální účtenku za nákup. Tato záruka žádným způsobem neovlivňuje vaše práva spotřebitelů.

### TECHNICKÉ ÚDAJE

Model:.....AC20L12  
Příkon: .....220–240 V~ 50 Hz, 80 W  
Kapacita nádrže je: .....20 litrů  
Hlučnost:.....< 60 dB  
Hmotnost:.....6,6 kg



Tento výrobek je zařízení II. třídy a nepřipojuje se k uzemnění.



Elektrická, elektrotechnická zařízení a baterie se nesmí likvidovat s domácím odpadem. Nechte je recyklovat v místě k tomu určeném. Obratě se na místní úřady nebo na vašeho prodejce, jak výrobek recyklovat.

## FONTOS BIZTONSÁGI INFORMÁCIÓK

**Kérjük, tartsa be a biztonságra vonatkozó alábbi óvintézkedéseket a tűz, a személyi sérülések, illetve az áramütések veszélyének csökkentése érdekében.**

Mindig ügyeljen arra, hogy az áramforrás feszültsége, frekvenciája és terhelése pontosan megegyezzen a termék adattábláján feltüntetett értékekkel.

Az áramütés veszélyének csökkentése érdekében ne használja ezt a terméket semmilyen szilárdtest-sebességszabályozó készülékkel.

Ne működtesse a terméket sérült vezetékkel vagy dugóval, vagy a termék hibás működése, illetve leejtése vagy bármilyen károsodása után. Vigye vissza a terméket a vásárlás helyére, hogy bevizsgálják, megjavítsák vagy kicseréeljék.

Az áramütés veszélyének csökkentése érdekében ne merítse a terméket vagy a rugalmas vezetékét vízbe, illetve ne hagyja, hogy eső, nedvesség vagy bármilyen folyadék érje. Ne használja a terméket ablakban vagy ablak mellett.

Tilos a terméket víz (vagyis fürdőkád, mosdókagyló, úszómedence stb.) közvetlen közelében használni, mert itt nagyobb a valószínűsége a vízbe merülésnek vagy a lefröcskölésnek.

Soha ne telepítse oda a terméket, ahol az alábbiaknak teszi ki:

Olyan hőforrások, mint radiátorok, hőleadó rácsok, tűzhelyek vagy más hőt termelő termékek.

Közvetlen napfény

Túl nagy mennyiségű por

Mechanikus vibráció vagy rázkódás

A szellőztetés hiánya, mint például könyvszekrényben vagy szekrényben

Kapcsolja le és húzza ki a konnektorból a készüléket, amikor azt nem használja, mielőtt alkatrészeket szerelne szét vagy össze, illetve tisztítás előtt.

Bekapcsolás előtt teljesen szerelje össze a készüléket.

**Vigyázat: Ne tekintse úgy a készülék telepítése vagy szervizelése közben, hogy a készülék főkapcsoló gombja az egyetlen eszköz, amellyel ki lehet kapcsolni a táplálást.**

**A készülék kikapcsolása után húzza ki a vezetékét a konnektorból. Ne a vezetékét húzza - a dugót megfogva távolítsa el az aljzataból.**

Ne érjen a mozgó alkatrészekhez. Ne tegyen semmilyen tárgyat, illetve ne dugja be az ujját a zsaluk közé a termék működése közben.

Semmilyen módon ne blokkolja vagy piszkálja a terméket működés közben.

Ne fedje le a zsalukat vagy a szűrőt, illetve ne működtesse függönyök stb. közvetlen közelében.

Mozgatás előtt húzza ki a készülék vezetékét a hálózatból.

Működéshez mindig stabil, lapos, egyenes felületre helyezze a készüléket, nehogy felboruljon a párologtató hűtőberendezés.

## FONTOS BIZTONSÁGI INFORMÁCIÓK

Ne vezesse szőnyeg alatt a vezetéket. Ne takarja le a vezetéket kisebb szőnyegekkel vagy futókkal. A vezetéket úgy vezesse, hogy ne legyen útban a megszokott útvonalakon, nehogy valaki megbotoljon benne.

Tartsa távol a vezetéket hőtől, éles szélektől és olajtól.

Ne használjon hozzá hosszabbítókábelt.

Ne használja a terméket anélkül, hogy a készülékre megfelelően felszerelné a csomagban kapott görgőket.

A készülék forgalmazója által nem ajánlott vagy értékesített kiegészítők vagy tartozékok használata személyi sérüléseket vagy anyagi károkat okozhat.

Ezt a terméket kizárólag a megszokott otthoni/háztartási használatra tervezték.

Tilos engedéllyel nem rendelkező személynek szétszerelnie a készüléket.

Ha megsérül a csatlakozóvezeték, akkor a kockázatok elkerülése érdekében a cserét csak a gyártó, a gyártó szervize vagy más hasonlóan képzett személy végezheti el.

Bekapcsolás előtt teljesen szerelje össze a ventilátort.

A készüléket a legalább 8 éves vagy annál idősebb gyermekek és csökkent fizikai, érzékszervi vagy szellemi képességű, illetve tapasztalatlan vagy nem eléggé informált személyek csak abban az esetben használhatják, ha számukra felügyelet és útmutatást biztosítanak a készülék biztonságos használatát illetően, és megértik a kapcsolódó kockázatokat. A gyermekek ne játsszanak a készülékkel. A tisztítást és a felhasználói karbantartást nem végezhetik gyermekek felügyelet nélkül.

Miután a ventilátort összeszerelte, tilos szétszerelni a (védő-) rácsokat tisztításkor.

## ELEKTROMOS ADATOK

A készülék használata előtt győződjön meg róla, hogy a hálózati áram feszültsége megegyezik-e a készüléken feltüntetett feszültséggel.

Ne kezdje üzemeltetni, illetve ne állítsa le az egységet oly módon, hogy be- vagy kikapcsolja a hálózati tápellátást. Használja a készüléken lévő ON/OFF gombot.

Az elektromos hálózatról a készüléket a hálózati csatlakozódugasz segítségével kell lecsatlakoztatni. Ennek mindig akadálytalanul és szabadon működőképesnek kell lennie.

## KICSOMAGOLÁS ÉS SZERELÉS

### A csomag tartalma

- A hűtőegység és a víztartály
- Négy görgő, két szabadonfutó kerék, két rögzítő.
- Távirányító.

Ha bármilyen tétel hiányzik vagy sérült, kérjen segítséget a legközelebbi Tesco áruházban.

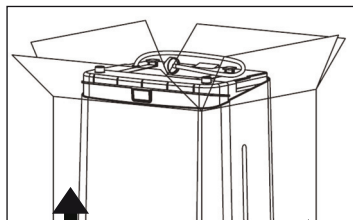
**Kérjük, a készülék használata előtt olvassa el az összes utasítást. Gondosan olvassa el a biztonságra vonatkozó megjegyzéseket. Ha továbbadja a készüléket harmadik személynek, mellékelje hozzá a jelen használati útmutatót.**

### 1. szakasz:

Nyissa ki a felső ajtószárnyakat, és vegye ki a kiegészítő tálcat.

Vegye ki az egységet a csomagolásból.

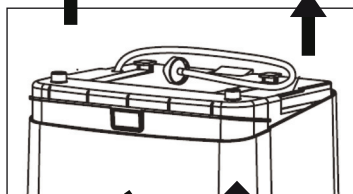
Őrizze meg a csomagolást a későbbi használatra. A készüléket csak a térségben hatályos újrahasznosítási előírásoknak megfelelően szabad hulladékba helyezni.



### 2. szakasz:

A hűtőegység a víztartályon belül fejjel lefelé van becsomagolva.

Tartsa az oldalt található fogantyúknál fogva az egységet, és óvatosan emelje ki.

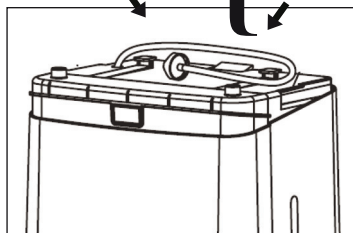


### 3. szakasz:

Tegyen egy törülközőt a padlóra.

Fordítsa meg a hűtőegységet, és helyezze a törülközőre.

Gondosan válassza le a két tároló kapocsról a bemenő tömlőt, és hagyja szabadon lógni.



### 4. szakasz:

Fordítsa meg a víztartályt.

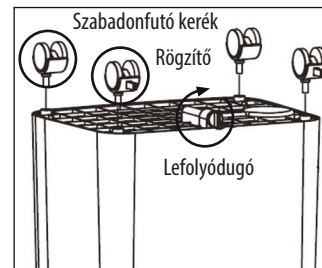
Tegye be a két szabadonfutó görgőt a tartály elején lévő szerelvényekbe, majd a két lezáró görgőt a tartály hátulján lévő szerelvényekbe. Tolja be teljesen a görgőket, majd ellenőrizze, hogy szorosan illeszkednek-e.

Ellenőrizze, hogy a lefolyó dugója teljesen megvan-e szorítva. Ha meg akarja szorítani, forgassa el a dugót az óramutató járásával megegyező irányban, ha pedig meg akarja lazítani, akkor az óramutató járásával ellenkező irányban.

### 5. szakasz: A víztartály feltöltése (opcionális)

Állítsa talpára a víztartályt.

Töltse fel a víztartályt tiszta hideg vízzel. Ne használjon illatanyagokat vagy más adalékokat. Ügyeljen rá, hogy a víz szintje a maximum és a minimum jelzések között legyen. A vízszintnek mindig láthatónak kell lennie az ablakban.

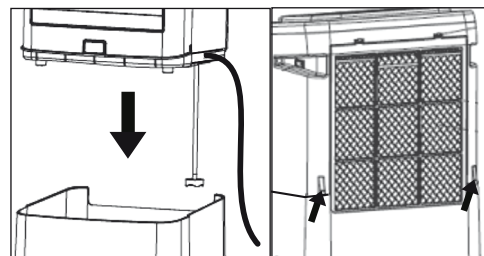
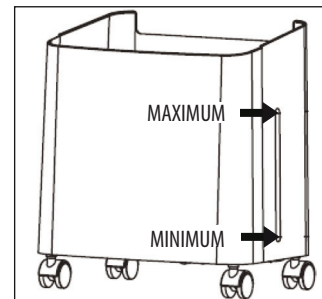


### NE ADAGOLJA TÚL A VÍZET.

### 6. szakasz:

Tartsa meg a hűtőegységet a fogantyúknál fogva, és eressze rá a víztartályra. Ügyeljen rá, hogy a szűrőtömlő benne legyen a tartályban.

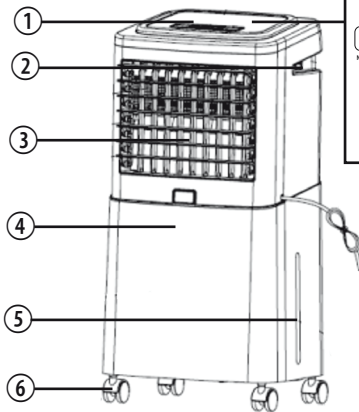
Ellenőrizze, hogy a két egység össze van-e kapcsolva a két zárócsappal a hűtőegység hátulján.



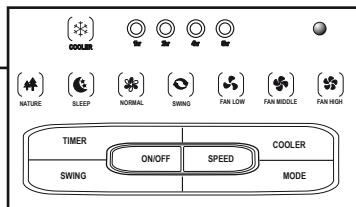
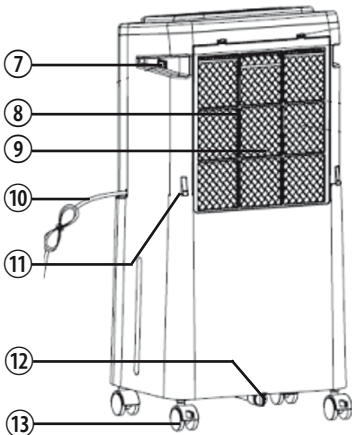
**A hűtő most használatra készen áll.**

## MIT KELL TUDNI A LÉGHŰTŐRŐL

### ELÖLNÉZET



### HÁTULNÉZET



1. Kezelőpanel
2. Hordozófogantyú
3. Levegőkimenet állítható zsalukkal
4. Vízartály (20 literes)
5. Vízszintjelző ablak
6. Szabadonfutó görgők
7. Hálózati főkapcsoló
8. Levegőbemenet rácsa
9. Levegőbemenet szűrője (a rács mögött)
10. Hálózati vezeték
11. Biztonsági zárak
12. Vízkiemenet lefolyódugója
13. Lezáró görgők

## AZ EGYSÉG ÜZEMELÉSI JELLEMZŐI

### A hűtő két alapvető üzemmódban tud működni:

**Üzemelés normál ventilátorként:** A hűtő hagyományos motoros rásegítésű ventilátorként működik. Ebben az üzemmódban nincs rá szükség, hogy víz legyen a tartályban.

**Üzemelés hűtőberendezésként:** Amikor víz van a tartályban, az egységet át lehet kapcsolni hűtő üzemmódba. Ebben az üzemmódban a szoba meleg levegőjét az egység a bemenő szűrőn keresztül magába szívja, összekeveri a tartályban lévő vízzel, majd nagyon finom pára formájában átnyomja a kimenő szűrőn. A víz a szoba levegőjével érintkezve azonnal elpárolog, ami hűvös légáramlatot kelt.

### Különleges funkciók

Ezek a funkciók a normál ventilátor és a hűtő üzemmódban egyaránt elérhetők.

**Változtatható ventilátorsebesség:** A hűtőhatás a ventilátorsebesség módosításával megváltoztatható. Három sebesség áll rendelkezésre: Alacsony, Közepes és Nagy.

**Állítható zsaluk:** Két fajta zsalukészlet van a ventilátor kimeneténél. A függőleges zsaluk szöge felfelé vagy lefelé kézzel szükség szerint megváltoztatható, a vízszintes zsaluk pedig elektromoson állíthatók.

**Lengés:** A vízszintes zsaluk vízszintes irányban lengenek, ami nagyobb üzemi területet biztosít.

**Az időzítő működése:** A hűtő üzemeltethető folyamatosan, de akár 1, 2, 4 vagy 8 órára előre beállított időtartamig is.

### Üzemmódok

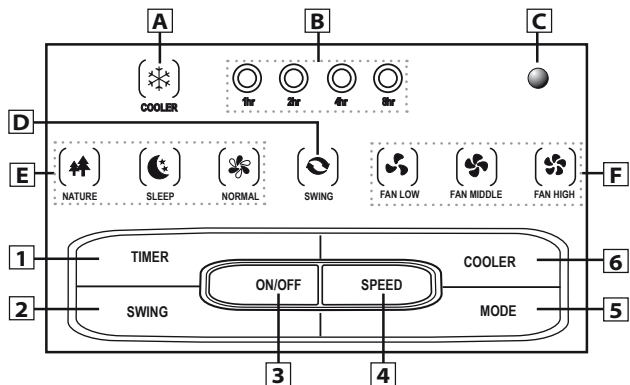
**Normál:** A hűtő a sebességszabályozó által beállított állandó sebességen működik.

**Természetes üzemmód:** A sebesség a természetes légáram utánzása érdekében a magas fokozat és a kikapcsolt állapot között váltakozik. A légáram intenzitásának változása a SPEED (sebesség) beállításától függ.

**Alvó üzemmód:** Ez az üzemmód a „Természetes” üzemmód egyik változata, amely kifejezetten úgy igazodik, hogy éjszakra kényelmes légáramot biztosítson.



## A KEZELŐPANEL



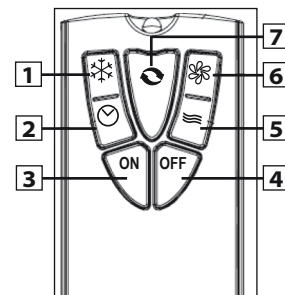
A kezelőgombok a kezelőpanel alján találhatóak, számjelzéssel vannak ellátva. Az állapotjelzők a kezelőpanel tetején találhatóak, betűjelzéssel vannak ellátva.

- Időzítő:** Nyomja le a időzített üzemelés kiválasztásához. Kiválaszthat 1, 2, 4, 8 órányi időtartamot vagy folyamatos üzemelést. Az időzítő kiválasztásakor kigyullad a kiválasztott idő B. kijelzője. Ha a hűtőn nem világít az időtartamokat jelző fény, akkor a berendezés folyamatos üzem módban van.
- Lengés:** Nyomja le a Lengés üzemelés kiválasztásához. Ez az üzemmód a hűtőhatás kiterjesztése érdekében lengeti a vízszintes zsalukat. A Lengés üzemmódot a D Swing (lengés) jelzőfény világítása mutatja.
- ON/OFF:** Kapcsolja a hűtőt valamelyik üzemmódba vagy Készenléti állapotba. Készenléti üzemmódban kizárólag a Standby (készenléti) C jelzőfény világít. A Standby jelzőfény mindig világít, amikor a hűtő be van kapcsolva.
- Sebesség:** Ennek a gombnak a lenyomásával tud választani az Alacsony, Közepes vagy Nagy ventilátorsebesség között. A megfelelő sebességet az F Fan Speed (ventilátorsebesség) jelzőfény mutatja.
- Üzemmód:** Ennek a gombnak a lenyomásával tud változtatni az üzemmódokat. Az E üzemmód jelzőfény mutatja, hogy milyen üzemmód lett kiválasztva. Az üzemmódok leírása az előző oldalon található.
- Hűtő:** A Hűtő üzemmódot ennek a gombnak a lenyomásával tudja kiválasztani. Kigyullad a hűtő A jelzőfénye. A hűtő az összes többi üzemmóddal együtt használható.

## TÁVIRÁNYÍTÓ

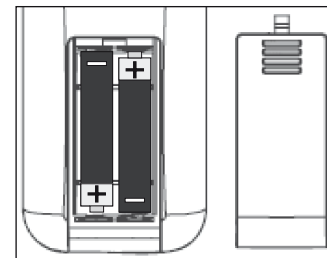
A távirányító a kezelőpanel összes funkcióját tartalmazza.

- Hűtő:** Válassza a hűtő üzemmódot.
- Időzítő:** Válassza az Időzítő üzemmódot.
- BE:** Kapcsolja be az egységet.
- KI:** Állítsa készenléti üzemmódba az egységet.
- Sebesség:** Válasszon ki egy Ventilátorsebességet.
- Üzemmód:** Válasszon ki egy üzemmódot.
- Lengés:** Válassza a Lengés üzemmódot.



### Elemek behelyezése

Be kell szereznie két AAA méretű elemet. Nyissa ki a fedelet. Csomagolja ki az elemeket, majd helyezze be őket úgy az elemtartó rekeszbe, hogy a polaritásuk megfeleljen az ábrán láthatónak. Tegye vissza a fedelet. Mindig AAA elemeket használjon, és mindig teljes készleteket cseréljen. Soha ne használjon régi és új elemeket vegyesen. A nagyon gyenge elemek szivároghatnak, és tönkre tehetik a távirányítót. Időben cserélje ki az elemeket!



Az elem nem megfelelő kezelése tűzveszélyt és égési kockázatot idézhet elő. Tilos az elem szétszerelése, összenyomása, kilyukasztása, külső érintkezők rövidre zárása, illetve tűzbe vagy vízbe dobása. Ne próbálja meg kinyitni vagy megjavítani az elemet. A használt elemet a térségben hatályos újrahasznosítási előírásoknak megfelelően szabad hulladékba helyezni.

### A távirányító működtetése

**Mutasson rá a távirányítóval a hűtő kezelőpaneljére, majd nyomja le a kívánt gombot.**

A távirányítónak 5 méteren belül kell lennie a hűtőtől, és a két egység közötti láthatóságot semminek nem szabad blokkolnia.

## ÜZEMELÉS

Tege a hűtő egyenletes vízszintes padlóra. Hagyjon jó sok helyet a készülék körül és felett, hogy keringhessen körülötte a levegő.

A további biztonság érdekében nyomja le a hátsó görgőkön lévő füleket, és ezzel rögzítse őket egy helyben.

Ügyeljen rá, hogy elegendő víz legyen a tartályban, ha a hűtő funkciót kívánja használni.

**Kapcsolja a hűtőn lévő főkapcsolót (ON/OFF) kikapcsolt (OFF) állásba.**

Teljesen csomagolja ki a vezetéket, majd csatlakoztassa a berendezést egy hálózati aljzatba. Ha szükséges, kapcsolja be az aljzatot is.

Óvatosan nyúljon az ujjaival a legfelső és alulról a második zsalu közé, és emelje fel őket. A nyitást követően szükség szerint lehet állítani felfelé vagy lefelé a szöveget.

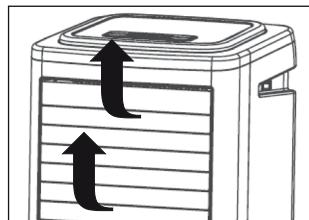
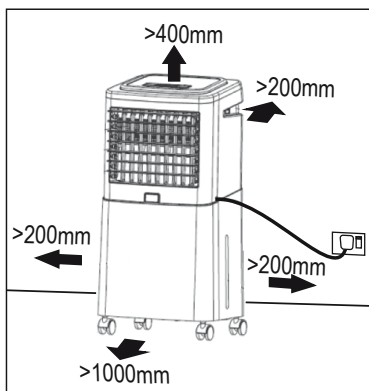
Biztonsági okokból a hűtő zárt zsaluk mellett nem üzemel.

### A KÉSZÜLÉK BE- ÉS KIKAPCSOLÁSA

Kapcsolja a hűtőn lévő főkapcsolót (ON/OFF) bekapcsolt („ON”) állásba. Kigyullad a hűtőn lévő piros Standby jelzőfény, mutatva, hogy a hűtő üzemkész.

Amikor a hűtőt készenléti üzemmódból el akarja indítani, nyomja le a távirányítón az ON gombot vagy a kezelőpanelen az ON/OFF gombot. Az alapértelmezett üzemmód az Alacsony ventilátorsebességet használó Normál üzemmód. Amikor a hálózati táplálás bekapcsolásával kapcsolja be a hűtőt, ez az üzemmód kerül kiválasztásra a készenléti üzemmódból történő kilépéskor.

Amikor a hűtőt készenléti üzemmódba akarja kapcsolni, nyomja le a távirányítón az OFF gombot vagy a kezelőpanelen az ON/OFF gombot. Készenléti üzemmódban a hűtő memóriájában megmarad - és egészen a készülék legközelebbi üzemeltetéséig megőrződik - az utolsó kiválasztott üzemmód.



Ha a készülék bizonyos ideig használaton kívül lesz, kapcsolja ki a hűtőt a főkapcsoló gomb (ON/OFF) segítségével, majd válassza le a készülék vezetékét a hálózatról.

**A ventilátorsebesség kiválasztása:** A SPEED (Sebesség) gomb lenyomásával tud választani az Alacsony, Közepes vagy Nagy ventilátorsebességek között.

**Az „Üzemmódok” használata:** Állítsa be a kívánt sebességet, majd a MODE (Üzemmód) gomb lenyomásával változtassa meg az üzemmódot.

**A Lengés funkció:** A SWING (lengés) gomb lenyomásával tudja ki-/bekapcsolni a vízszintes zsaluk lengését.

**Tipp:** A SWING gomb rövid be-, majd kikapcsolásával bármilyen kiválasztott irányba el tudja terelni a légáramot.

**Az Időzítő használata:** Az Időzítő funkció megengedi a folyamatos üzemelés kiválasztását, illetve annak beállítását, hogy a készülék a beállított időtartam után Készenléti üzemmódba lépjen. Ez a funkció bármilyen üzemmódban használható.

**Párolgató hűtés:** Ha van víz a tartályban, a COOLER (hűtő) gomb lenyomásával tudja elindítani a készülék Párolgató hűtés funkcióját. A „COOLER” (Hűtő) jelzőfény felgyullas a kezelőpanelen.

**MEGJEGYZÉS:** Ha a tartályban nincs elegendő víz, vagy egyáltalán nincs benne víz, akkor megnő a vízpumpa által kiadott zaj. Ekkor vagy ki kell kapcsolni a hűtő funkciót, vagy ki kell kapcsolni magát a hűtőt a főkapcsoló (ON/OFF) gomb segítségével, majd az elektromos vezetékét ki kell húzni a hálózatról, mielőtt újra vizet töltene a tartályba, vagy újraindítanak az üzemelést.

### A tartály feltöltése:

Kapcsolja ki és válassza le a hálózatról a hűtőt.

Óvatosan emelje ki a hűtőegységet, és helyezze vízszintes felületre.

Töltse fel a víztartályt.

Újra szerelje vissza a hűtőegységet.

### SOHA NE HASZNÁLJA ÚGY A HŰTŐ FUNKCIÓT, HA NINCS ELEGENDŐ VÍZ A TARTÁLYBAN.

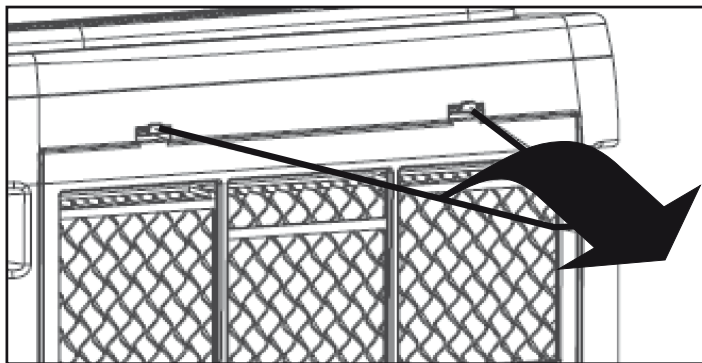
**Használat után:** Állítsa a hűtőt készenléti üzemmódba. Ha hosszabb ideig nem fogja használni a hűtőt, kapcsolja ki, válassza le az egységet a hálózatról, majd ürítse ki belőle a vizet.

Ne hagyja, hogy legfeljebb két napnál hosszabb ideig víz álljon a tartályban. Mindig tiszta, friss vízzel üzemeltesse a hűtő berendezést.

### SOHA NE ÜZEMELTESSE A KÉSZÜLÉKET, HA EL VANNAK DUGULVA VAGY HIÁNYOZNAK A SZŰRŐK.

## ÁPOLÁS, KARBANTARTÁS ÉS TÁROLÁS

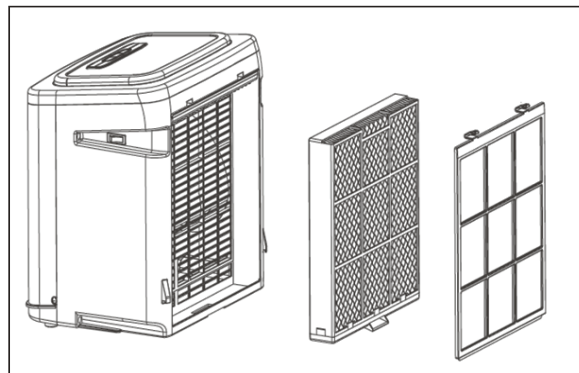
Rendszeresen, legalább havonta egyszer kell végezni tisztítást és karbantartást, sőt még ennél is gyakrabban, ha hosszabb időn keresztül hetente többször használja a párologtató hűtés funkciót. Az esetleges egészségügyi kockázatokat alapos tisztítással kell minimálisra szorítani. Bármilyen tisztítás vagy karbantartás előtt kapcsolja ki a hűtőt, és válassza le a hálózatról. Először válassza le a hűtőegységet a víztartályról. Helyezze a hűtőegységet a könnyű hozzáférhetőség kedvéért egy mosogatóhoz közeli asztalra vagy konyhapultra.



### Tisztítsa meg a bemeneti szűrőt

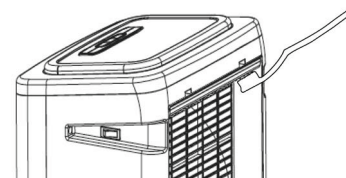
A szűrő fedelét két fül tartja a helyén. Tartsa lenyomva mindkét fület, majd emelje le a szűrő fedelét.

A bemeneti szűrő a szűrőfedélből, a szűrőből és a szűrővályúból áll.



Vegye ki a szűrőt, és merítse a szűrőt és a fedelet meleg mosószeres vízbe. Óvatosan keféljen le rólu minden lerakódást egy puha kefével. Öblítse le alaposan, és hagyja megszáradni.

Kefélje ki a vályút, és az összes nyílást egy mosószeres vízbe merített kicsi kefével, öblítse le és szárítsa meg. Újra szerelje vissza a hűtőegységet.

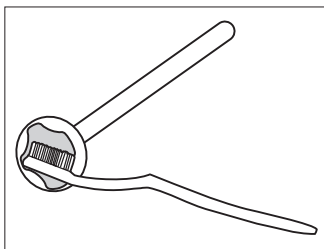


## ÁPOLÁS, KARBANTARTÁS ÉS TÁROLÁS

### A bemeneti tömlő szűrőjének tisztítása

Ez a szűrő a bemeneti tömlő végén helyezkedik el. Ha nem sikerül tisztán tartani ezt a szűrőt, a párologtató hűtés nem lesz hatékony, és teljesen kárba veszhet a hűtés. Kefélje le a szűrő hálóját egy mosószeres vízbe mártott kis puha kefével, öblítse jól le, majd szárítsa meg.

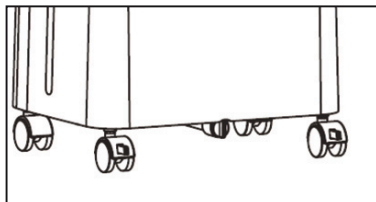
Különösen óvatosan járjon el, hogy a szűrő tisztítása közben ne hogy megsértse a szűrőt és a csatlakozótömlőt.



### A víztartály tisztítása

A víz leürítéséhez vagy a mosogatóba kell kiönteni a tartály tartalmát, vagy használni kell a készülék alapján lévő lefolyódugót. Helyezze rá a tartályt a lefolyóra, vagy vigye ki a házból, majd vegye ki a lefolyódugót.

Hagyja kifolyni a vizet. Mossa ki és öblítse ki mosószeres vízben a tartályt, majd szárítsa meg. Most tegye vissza a lefolyódugót.

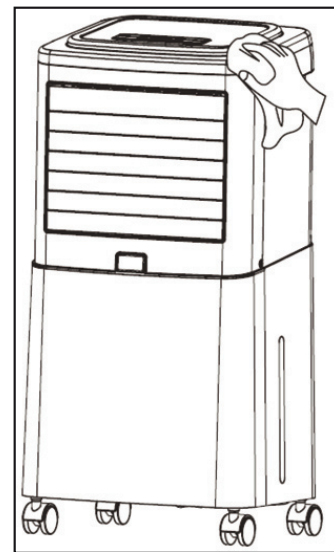


### A hűtő házának tisztítása

Kefélje le a zsalukra tapadt lerakódásokat, majd óvatosan törölje le a zsalukat egy nedves ruhával. Zárja be a zsalukat.

Gyengéden tisztítsa meg a készülék külső felületeit egy puha, enyhén megnedvesített ruhával - ügyeljen rá, hogy ne fröccsenjen víz a kezelőpanelre vagy a készülék belsejébe. Szárítsa meg száraz ruhával.

**Soha ne használjon kémiai oldószereket, súrolószereket vagy dörzsanyagokat a készülék bármely részének a tisztításához.**



## TÁROLÁS

Ha a készülék rendszeresen használatban van, tárolja teljesen összeszerelt állapotban, de üres víztartállyal és lezárt zsalukkal, nehogy baleset történjen.

Hosszú idejű tárolás esetén ajánlatosabb szétszerelt állapotban tárolni a készüléket úgy, hogy a hűtőegység legyen megfordítva és a víztartályba behelyezve. Fontos, hogy először kiszárítsa a készüléket (ürítse ki a víztartályt, majd járassa néhány órán át a ventilátort), majd tárolja a készüléket egy biztonságos, száraz helyen.

Ha szétszerelt állapotban tárolja a készüléket, ajánlatos az eredeti dobozát (vagy egy ennek megfelelő méretű dobozt) használni.

Ha az összeszerelt vagy szétszerelt állapotban lévő készüléket nem a dobozban tárolja, óvni kell a portól.

## HIBAELHÁRÍTÁS

Ha a készülék nem megfelelően működik, keresse a hibát az ellenőrzőlista alapján, mielőtt a Tescohoz fordulna. Ha igénybe kell vennie a segítségnyújtást, híváskor legyen kéznél a számla.

### Nem indul a készülék

Ellenőrizze, hogy a hűtő csatlakoztatva van-e dugva a hálózati aljzatba, és hogy be van-e kapcsolva a tápellátás.

Zárva vannak a kimeneti zsaluk.

### A készülék működés közben furcsa hangot hallat

Eltömődött a légszűrő és/vagy a kimeneti tömlő szűrője.

A készülék „Hűtő” üzemmódban van, és kifolyik a víz, vagy üres a tartály.

### A készülék nem reagál a távirányítón kiadott parancsokra

Gyengék a távirányító elemei, valami blokkolja a távirányító és a hűtő közötti láthatóságot.

Mutasson rá a távirányítóval a hűtő tetején lévő kezelőpanelre.

## GARANCIA ÉS MŰSZAKI ADATOK

### TESCO GARANCIA

Ha a termékkel kapcsolatban bármilyen észrevétele van, forduljon áruházi vevőszolgálatunkhoz vagy küldje el véleményét az alábbi címre: Tesco-Global Áruházak Zrt. 2040 Budaörs, Kinizsi út 1-3. Látogasson meg minket a [www.tesco.hu](http://www.tesco.hu) oldalon.

### MŰSZAKI ADATOK

Modell:.....AC20L12

Áramforrás:.....220-240 V~ 50 Hz, 80 W

Tartály úrtartalma:.....20 liter

Zajszint: .....<60 dB

Tömeg:.....6,6 kg



Ez a készülék II. osztályú berendezés, és nem szabad a hálózati földeléshez csatlakoztatni.



Az üzemképtelen elektromos készüléket/elemet/akkumulátort ne rakja a háztartási hulladékok közé. Az újrahasznosítás érdekében juttassa el egy erre szakosodott gyűjtőhelyre, vagy új készülék vásárlása esetén érdeklődjön a visszavételi lehetőségekről.

## DÔLEŽITÉ BEZPEČNOSTNÉ POKYNY

**Aby ste predchádzali nebezpečenstvu vzniku požiaru, poranenia alebo úrazu elektrickým prúdom, dodržiavajte všetky ochranné opatrenia uvedené v nasledujúcom texte**

Výrobok vždy napájajte z napájacieho zdroja s tým istým napätím, frekvenciou a menovitou hodnotou, aká je uvedená na identifikačnom štítku výrobku.

Aby ste znížili riziko úrazu elektrickým prúdom, výrobok nepoužívajte so žiadnym zariadením na ovládanie rýchlosti v tuhom stave.

Výrobok nepoužívajte, ak je poškodený prírodný elektrický kábel alebo zástrčka, ak vám výrobok spadol, alebo sa zdá, že je nejakým spôsobom poškodený. Kompletný výrobok vráťte na mieste, kde ste ho kúpili, aby ho skontrolovali, opravili alebo vymenili.

Aby ste znížili riziko elektrického šoku, výrobok ani jeho ohybnú šnúru neponárajte ani nevystavujte dažďu, vlhkosti alebo niektorej tekutine. Výrobok nepoužívajte v okne alebo v jeho blízkosti.

Tento výrobok sa nesmie používať v bezprostrednej blízkosti vody, napríklad pri vani, umývadle, bazéne a pod., kde je pravdepodobnosť ponorenia alebo ošpliechania.

Výrobok nikdy neinštalujte tam, kde by mohol byť pod vplyvom:

Teplých zdrojov, ako sú radiátory, tepelné registre, sporáky alebo iné výrobky, z ktorých sála teplo.

Priameho slnečného svetla

Nadmerného množstva prachu

Mechanických vibrácií alebo nárazu

Nedostatku vetrania, napríklad v knižnici alebo skrinke.

Výrobok vypnite a odpojte od zásuvky, ak ho nebudete používať, pred montážou alebo demontážou častí a pred čistením.

Skôr ako výrobok zapnete, úplne ho zmontujte.

**Upozornenie: nespoliehajte sa na tlačidlo vypínača zap/vyp ako na jediný spôsob odpojenia výrobku od elektrickej energie, keď ho inštalujete alebo vykonávate jeho servis.**

**Po vypnutí zariadenia vyťahnite napájací kábel zo zásuvky. Kábel odpojajte ťahaním za zástrčku - neťahajte za kábel.**

Vyhýbajte sa kontaktu s pohybujúcimi sa časťami. Keď je výrobok v činnosti, nepchajte cez lamety žiadne predmety ani prsty.

Keď je výrobok v činnosti, neblokujte ho s ním nemanipulujte.

Lamely ani filter nezakrývajte a výrobok neuvádzajte do činnosti v tesnej blízkosti záclon, závesov a pod.

Pred premiestnením výrobok odpojte od elektrickej siete.

Zariadenie vždy kladte na stabilný, plochý, rovný povrch, aby ste predišli prevráteniu odparovacieho chladiča.

Napájací kábel nevedte pod kobercom. Napájací kábel nezakrývajte rohožkami ani behúňmi. Napájací kábel vedte mimo miest, kadiaľ sa chodí, aby sa oň nemohol nik potknúť.

Kábel chráňte pred teplom, ostrými okrajmi a olejom.

## DÔLEŽITÉ BEZPEČNOSTNÉ POKYNY

S výrobkom nepoužívajte predlžovací kábel.

Výrobok nepoužívajte bez dodaných koliesok správne pripevnených k zariadeniu.

Použitie doplnkov alebo príslušenstva, ktoré nie sú odporúčané distributérom výrobku, alebo ktoré distributér výrobku nemá v ponuke, môže viesť k nebezpečenstvu pre osoby alebo majetok, prípadne k úrazom.

Tento výrobok je určený iba na normálne použitie v domácnosti.

Akákoľvek demontáž neoprávnenou osobou je zakázaná.

V prípade poškodenia napájacieho kábla ho nechajte vymeniť výrobcom, pracovníkom servisného strediska alebo podobne kvalifikovanou osobou, aby ste zabránili vzniku nebezpečenstva.

Skôr ako ventilátor zapnete, úplne ho zmontujte.

Tento spotrebič môžu používať deti vo veku 8 a viac rokov a osoby so zníženými fyzickými, zmyslovými alebo duševnými schopnosťami alebo nedostatkom skúseností a vedomostí, ak sú pod dozorom, alebo boli poučené o bezpečnom používaní spotrebiča a chápu súvisiace riziká. Deti sa so spotrebičom nesmú hrať. Čistenie a údržbu nesmú vykonávať deti bez dozoru.

Po zmontovaní ventilátora je zakázané pri čistení demontovať mriežky (ochranný kryt).

## ELEKTRICKÉ INFORMÁCIE

Pred zapojením spotrebiča k elektrickej sieti skontrolujte, či sa napätie elektrickej siete zhoduje s napätím uvedeným na spotrebiči.

Zariadenie neuvádzajte do činnosti ani ho nezastavujte zapínaním a vypínaním napájania zo siete. Používajte len tlačidlo vypínača ZAP/VYP na spotrebiči.

Spotrebič sa od elektrickej siete odpája vytažením zástrčky prírodného elektrického kábla zo zásuvky. Zásuvka elektrickej siete musí byť vždy dobre prístupná a bez prekážok.

## VYBALENIE A MONTÁŽ

### Balenie obsahuje

- Chladič a nádrž na vodu.
- Štyri kolies, dve s volnobehom, dve blokovacie.
- Dialkový ovládač.

V prípade, že niektorá časť chýba alebo je poškodená, obráťte sa na najbližšiu predajňu Tesco.

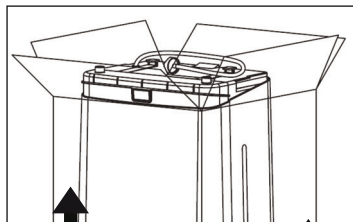
**Pred použitím tohto spotrebiča si prečítajte všetky pokyny uvedené v tomto návode na použitie. Pozorne si prečítajte všetky bezpečnostné pokyny. Ak zariadenie odovzdávate tretej osobe, priložte k nemu aj tento návod.**

### Krok č. 1:

Otvorte horné krídla a vyberte priehradku s príslušenstvom.

Zariadenie vyberte z obalu.

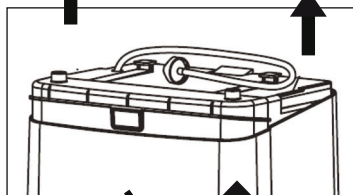
Obal si odložte na ďalšie použitie. V prípade likvidácie obalu postupujte v súlade s miestnymi predpismi o recyklácii odpadu.



### Krok č. 2:

Chladič je zabalený hore nohami vo vnútri nádrže na vodu.

Zariadenie chyťte za rukoväť na boku a opatrne ho zdvihnite.

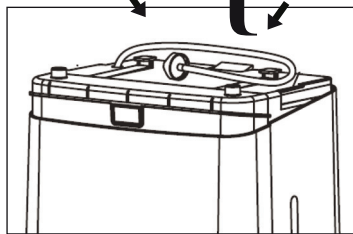


### Krok č. 3:

Na dlážku položte uterák.

Chladič prevráťte a položte ho na uterák.

Opatrne odpojte vstupnú hadicu od dvoch spôn používaných pri skladovaní a nechajte ho voľne visieť.

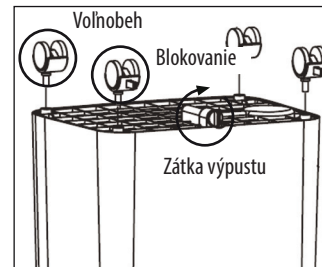


### Krok č. 4:

Nádrž na vodu prevráťte.

Vložte dve kolieska s volnobehom do objímok na prednej strane nádrže a dve kolieska s aretáciou do objímok na zadnej strane nádrže. Kolieska celkom zatlačte a skontrolujte, či sú bezpečne upravené.

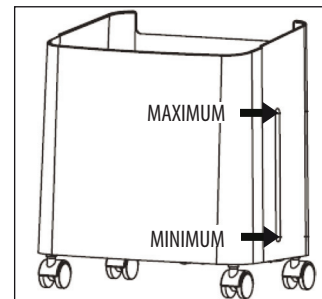
Skontrolujte, či je zátka výpustu celkom zatiahnutá. Zátku otočte v smere otáčania hodinových ručičiek, ak ju chcete zatiahnuť, alebo v protismere otáčania hodinových ručičiek, ak ju chcete uvoľniť.



### Krok č. 5: Napĺňanie nádrže na vodu (voliteľné)

Nádrž na vodu postavte do vzpriamenej polohy. Nádrž naplňte čistou, studenou vodou. Nepoužívajte vône ani iné prísady. Skontrolujte, či je hladina vody medzi značkami označujúcimi maximum a minimum. V okienku vždy musíte vidieť hladinu vody.

**NEDOLIEVAJTE PRÍLIŠ VEĽA VODY.**

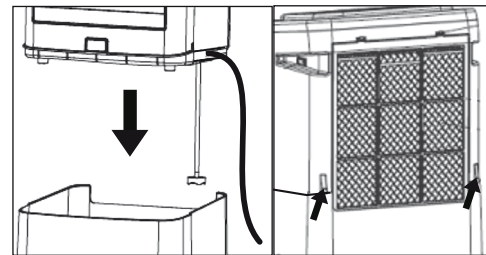


### Krok č. 6:

Chladič držte za rukoväť a položte ho na nádrž na vodu. Uistite sa, či je hadica filtra vo vnútri nádrže.

Skontrolujte, či sú dané dve časti zaistené dvoma závlačkami na zadnej strane chladiča.

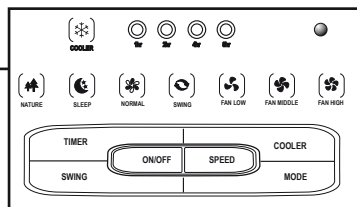
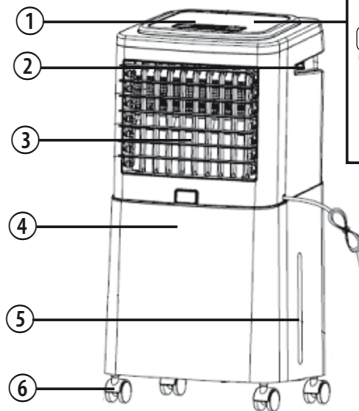
**Chladič je teraz pripravený na použitie.**





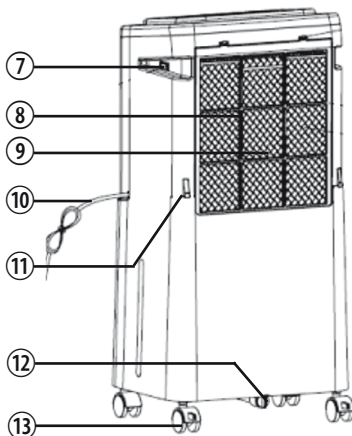
## O CHLADIČI

### POHĽAD SPREDU



1. Ovládací panel
2. Prenášacia rukoväť
3. Výstup vzduchu s nastaviteľnými lamelami
4. Nádrž na vodu (20 litrov)
5. Okienko indikátora hladiny vody
6. Koleska s volnobehom
7. Sieťový vypínač ON/OFF (ZAP/VYP)
8. Mriežka prístupu vzduchu
9. Filter na prístupe vzduchu (za mriežkou)
10. Sieťový kábel
11. Bezpečnostné závlačky
12. Zátka výpustu na výstupe vody
13. Koleska s aretáciou

### POHĽAD ZOZADU



## PREVÁDZKOVÉ VLASTNOSTI ZARIADENIA

### Chladič má dva hlavné režimy prevádzky:

**Prevádzka bežného ventilátora:** Chladič pracuje ako bežný ventilátor s motorom. V tomto režime nie je potrebné, aby bola v nádrži voda.

**Chladienie:** Keď je v nádrži voda, zariadenie je možné prepnúť do režimu chladienia. V tomto režime sa teplý vzduch nasáva do zariadenia cez prístup vzduchu, zmiešava sa s vodou v nádrži a prechádza cez výstupný filter vo forme veľmi jemnej hmly. Voda sa okamžite vyparuje pri kontakte so vzduchom v miestnosti, čím sa vytvára chladivý vánok.

### Špeciálne funkcie

Všetky tieto funkcie sú k dispozícii v štandardnom režime ventilátora alebo v režime chladienia.

**Premenlivá rýchlosť ventilátora:** Efekt chladienia sa môže meniť pri zmene rýchlosti ventilátora. K dispozícii sú tri rýchlosti, nízka, stredná a vysoká.

**Nastaviteľné lamely:** Na výstupe ventilátora sú dve súpravy lamiel. Vertikálne lamely je možné nastaviť pod uhlom smerom nahor alebo nadol manuálne podľa potreby a horizontálne lamely sú motorizované.

**Kmitanie:** Horizontálne lamely kmitajú v horizontálnom smere, čím sa dosiahne širšia oblasť pôsobenia.

**Časovač:** Chladič je možné uviesť do prevádzky v nepretržitom režime alebo na popred nastavenú dobu 1, 2, 4 alebo 8 hodín.

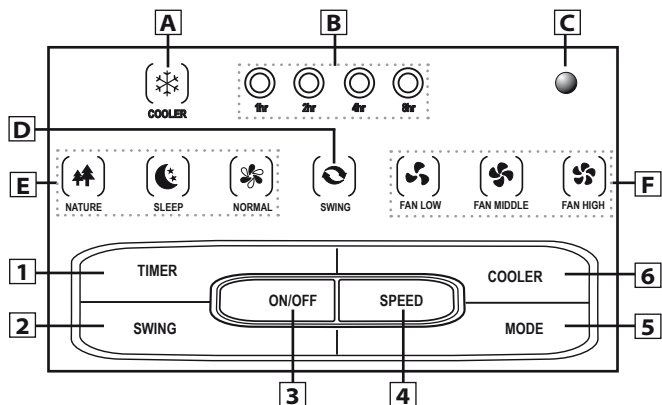
### Režimy prevádzky

**Normálny:** Chladič pracuje pri konštantnej rýchlosti nastavenej ovládačom rýchlosti.

**Prírodný:** Rýchlosť sa mení v cykloch od vysokej po žiadnu, aby sa simuloval prírodný vánok. Zmena intenzity vánku závisí od nastavenia RÝCHLOSTI.

**Spánkový:** Tento režim je variantom prírodného režimu, špeciálne upravený tak, aby vytváral príjemný nočný vánok.

## OVLÁDACÍ PANEĽ



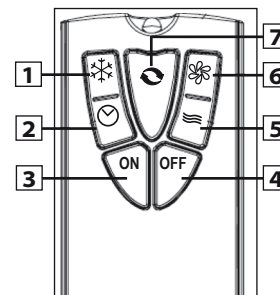
Ovládacie klávesy sa nachádzajú na spodnej strane panela a sú označené číslami. Ukazovatele stavu sa nachádzajú na hornej strane panela a sú označené písmenami.

- Časovač:** Tlačidlo stlačte, ak chcete zvoliť prevádzku s časovačom. Môžete si zvoliť prevádzku počas 1, 2, 4, 8 hodín alebo nepretržitú prevádzku. Ak ste zvolili prevádzku s časovačom, rozsvieti sa zodpovedajúci ukazovateľ času B. Ak nesvieti žiadne svetlo, chladič je v režime nepretržitej prevádzky.
- Kmitanie:** Tlačidlo stlačte, ak chcete zvoliť prevádzku s kmitaním. V tomto režime budú horizontálne lamely kmitať, aby sa dosiahlo širšie chladenie. Režim kmitania je naznačený ukazovateľom kmitania D.
- ON/OFF (ZAP/VYP):** Zapína chladič do režimu prevádzky alebo pohotovostného režimu. V pohotovostnom režime bude svietiť len ukazovateľ pohotovostného režimu C. Ukazovateľ pohotovostného režimu svieti vždy, keď je chladič zapnutý.
- Rýchlosť:** Tlačidlo stlačte, ak si chcete zvoliť nízku, strednú alebo vysokú rýchlosť ventilátora. Príslušnú rýchlosť naznačuje ukazovateľ rýchlosti ventilátora F.
- Režim:** Toto tlačidlo stlačte, ak chcete zmeniť režim. Zvolený režim naznačuje kontrolka režimu E. Režimy sú popísané na predchádzajúcej strane.
- Chladič:** Tlačidlo stlačte, ak chcete zvoliť prevádzku chladiča. Rozsvieti sa ukazovateľ chladiča A. Prevádzka chladiča sa dá použiť so všetkými režimami prevádzky.

## ĎIALKOVÝ OVLÁDAČ

Dialkový ovládač kopíruje všetky funkcie ovládacieho panela.

- Chladič:** Zvolte si prevádzku chladiča.
- Časovač:** Zvolte si prevádzku s časovačom.
- ON (ZAPNUTÉ):** Zariadenie zapnite.
- OFF (VYPNUTÉ):** Nastavte zariadenie do pohotovostného režimu.
- Rýchlosť:** Zvolte si rýchlosť ventilátora.
- Režim:** Zvolte si režim prevádzky.
- Kmitanie:** Zvolte si prevádzku s kmitaním.



### Vloženie batérií

Musíte si zakúpiť dve batérie formátu AAA. Otvorte kryt. Batérie vybalte a vložte ich do priehradky na batérie pri dodržaní zobrazenej polarít. Kryt nasadte späť. Vždy používajte batérie formátu AAA a vždy ich vymieňajte ich ako súbor. Nikdy nemiešajte staré a nové batérie. Veľmi slabé batérie môžu tiecť a poškodiť diaľkový ovládač. Batériu vymeňte včas!

Pri nesprávnom zaobchádzaní s batériou hrozí riziko požiaru a popálenín. Nerozoberajte, nestláčajte, neprepichujte ani neskratujte vonkajšie kontakty batérií ani batérie nevyhadzujte do ohňa alebo do vody. Nepokúšajte sa otvoriť kryt ani opravovať batériu. Použité batérie zneškodňujte v súlade s platnými miestnymi predpismi o recyklácii.

### Používanie diaľkového ovládača

Nasmerujte diaľkový ovládač na ovládaci panel a stlačte príslušné tlačidlo. Dialkové ovládanie by malo byť najviac 5 metrov od chladiča a medzi danými dvoma zariadeniami musí byť jasná zámra.

## OVLÁDANIE

Chladič postavte na hladký, rovný povrch. Naokolo aj nad chladičom musí byť dostatočný priestor, aby sa dosiahla dobrá cirkulácia vzduchu.

Ak chcete dosiahnuť vyšší stupeň bezpečnosti, zatlačte klapky na zadných kolieskach, čím ich zaaretujete na mieste. Uistite sa, že v nádrži na vodu je dostatok vody, ak chcete využiť funkciu chladiča.

**Vypínač ON/OFF (ZAP/VYP) na chladiči prepnite do polohy OFF (VYP).**

Celkom vybalte napájací elektrický kábel a zasuňte zástrčku zariadenia do zásuvky elektrickej siete. Zapnite sieťové napájanie, ak je to potrebné.

Opatrne vložte prsty pod spodnú a druhú lamelu a zdvihnite ich smerom nahor. Keď sú otvorené, môžete ich nakláňať pod uhlom nahor alebo nadol, podľa potreby.

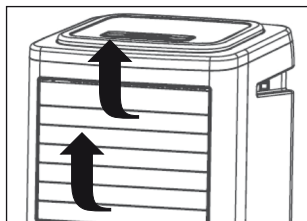
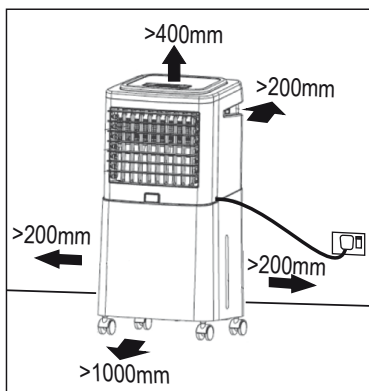
**V rámci bezpečnosti chladič nebude fungovať, keď sú lamely zatvorené.**

### ZAPNUTIE A VYPNUTIE

Vypínač ON/OFF (ZAP/VYP) na chladiči prepnite do polohy ON (ZAP). Rozsvietí sa červená kontrolka na chladiči označujúca pohotovostný režim, čím naznačí, že chladič je pripravený na prevádzku.

Ak chcete chladič prepnúť z pohotovostného režimu, stlačte tlačidlo ON (ZAP) na diaľkovom ovládači alebo tlačidlo ON/OFF (ZAP/VYP) na ovládacom paneli. Prednastavený režim prevádzky je normálny s nízkou rýchlosťou ventilátora. Ak chladič zapnete v sieti, tento režim sa navolí, keď ho vypnete z pohotovostného režimu

Ak chcete chladič prepnúť do pohotovostného režimu, stlačte tlačidlo OFF (VYP) na diaľkovom ovládači alebo tlačidlo ON/OFF (ZAP/VYP) na ovládacom paneli. V pohotovostnom režime zostane naposledy zvolený režim prevádzky uložený v pamäti chladiča a obnoví sa, keď zariadenie znova uvediete do činnosti.



Keď zariadenie nebudete istý čas používať, vypnite ho pomocou vypínača ON/OFF (ZYP/VYP) a vytiahnite zástrčku zo sieťovej zásuvky.

**Volba rýchlosti ventilátora:** Stlačte tlačidlo SPEED (RÝCHLOSŤ), aby ste si mohli zvoliť nízku, strednú alebo vysokú rýchlosť ventilátora.

**Používanie režimov:** Nastavte požadovanú rýchlosť, potom stlačte tlačidlo MODE (REŽIM), aby ste mohli zmeniť režim prevádzky.

**Funkcia kmitania:** Stlačte tlačidlo SWING (KMITANIE), ak chcete zapnúť/vypnúť kmitanie horizontálnych lamiel.

**Rada:** Rýchlym zapnutím a vypnutím funkcie pomocou tlačidla SWING (KMITANIE) môžete nasmerovať prúdenie vzduchu ľubovoľným smerom, aký si zvolíte.

**Používanie časovača:** Funkcia časovača vám umožní zvoliť si nepretržitú prevádzku, alebo nastaviť jednotku do pohotovostného režimu po nastavenej dobe. Túto funkciu je možné používať v ktoromkoľvek režime.

**Odparovacie chladenie:** Ak je v nádrži na vodu voda, stlačte tlačidlo COOLER (CHLADIČ), čím spustíte funkciu odparovacieho chladenia tohto zariadenia. Rozsvietí sa ukazovateľ „COOLER“ („CHLADIČ“) na ovládacom paneli.

**POZNÁMKA:** Ak v nádrži na vodu nie je dost' vody (alebo v nej nie je žiadna voda), zvýši sa hlučnosť vodného čerpadla. Vtedy alebo vypnite funkciu chladenia, alebo vypnite chladič pomocou vypínača ON/OFF (ZAP/VYP) a vytiahnite zástrčku zariadenia zo sieťovej zásuvky, aby ste mohli doplniť nádrž na vodu a prevádzku zariadenia znova spustiť.

### Doplňanie nádrže:

Chladič vypnite a vytiahnite jeho zástrčku zo zásuvky.

Chladič opatrne zdvihnite a položte ho na rovný povrch.

Nádrž na vodu doplňte.

Chladič zmontujte.

### FUNKCIU CHLADENIA NIKDY NEPOUŽÍVAJTE, AK V NÁDRŽI NIE JE DOŠŤ VODY.

**Po použití:** Chladič nastavte do pohotovostného režimu. Ak chladič nebudete dlhšiu dobu používať, vypnite ho, vytiahnite zástrčku zariadenia zo sieťovej zásuvky a vodu vylejte.

V nádrži nenechávajte stáť vodu viac ako maximálne dva dni. Chladič vždy spúšťajte s čistou čerstvou vodou v nádrži.

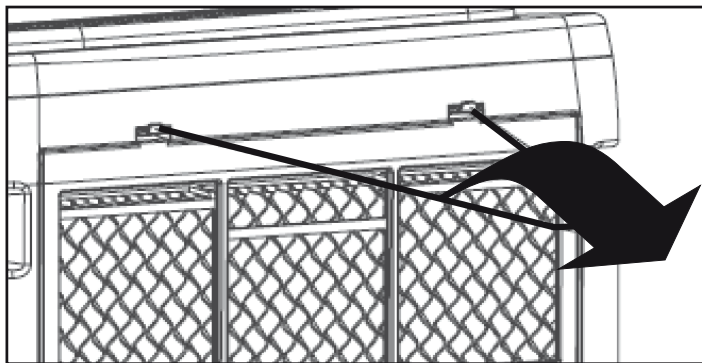
### SPOTREBIČ NIKDY NEPOUŽÍVAJTE, AK MÁ UPCHAATÉ FILTRE, ALEBO AK FILTRE CHÝBAJÚ.

## STAROSTLIVOSŤ, ČISTENIE A SKLADOVANIE

Čistenie a údržbu je potrebné vykonávať pravidelne, aspoň raz za mesiac a častejšie, ak funkciu odparovacieho chladenia používate dlhšiu dobu niekoľkokrát za týždeň. Čistenie je nutné vykonávať dôkladne, aby sa minimalizovali možné zdravotné riziká.

Pred čistením alebo údržbou chladič vypnite a odpojte ho od siete.

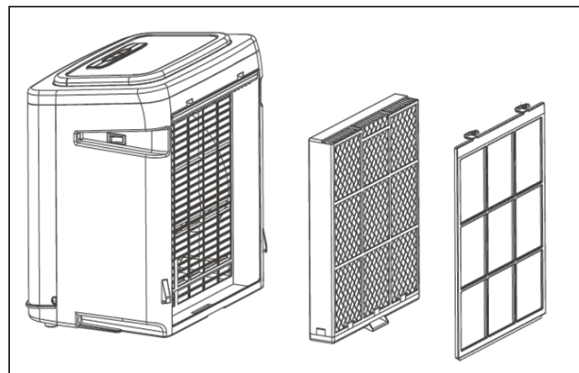
Najskôr odpojte chladič od nádrže na vodu. Chladič postavte na stôl alebo pracovnú dosku v kuchyni v blízkosti výlevky, aby ste k nej mali dobrý prístup.



### Čistenie vstupného filtra.

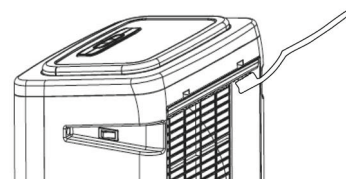
Kryt filtra držia dve zátky. Zátky zatlačte nadol a potom vytiahnite kryt filtra.

Vstupný filter sa skladá z krytu filtra, samotného filtra a žlabu filtra.



Vyberte filter von a ponorte filter a kryt do teplej vody s mydlom. Opatrne ich vyčistite jemnou kefkou, aby ste odstránili všetky nánosy. Dôkladne ich opláchnite a nechajte vyschnúť.

Žlab vyčistite kefkou a všetky otvory pomocou malej kefky namočenej do mydlovej vody, opláchnite a vysušte ho. Chladič zmontujte.

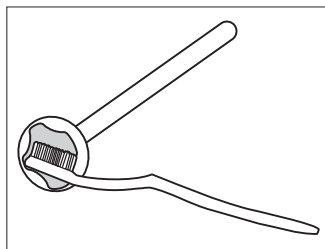


## STAROSTLIVOSŤ, ČISTENIE A SKLADOVANIE

### Čistenie filtra vstupnej hadice

Tento filter sa nachádza na konci vstupnej hadice. Ak tento filter nebudete udržiavať v čistote, odparovacie chladenie bude neúčinné a môže dôjsť k úplnej strate chladenia. Mriežku filtra vyčistíte mäkkou kefkou namočenou do mydlovej vody, opláchnite ju a vysušte.

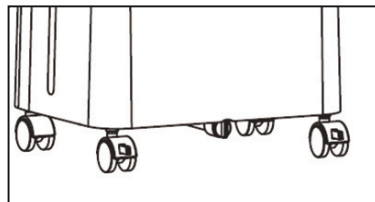
Mimoriadnu pozornosť dávajte na to, aby ste pri čistení filtra filter a spojovaciu hadicu nepoškodili.



### Čistenie nádrže na vodu

Ak chcete vyliať vodu, môžete ju z nádrže vyliať do výlevky, alebo môžete použiť zátku výpustu v spodnej časti. Nádrž položte nad výlevku alebo von a otvorte zátku výpustu.

Vodu nechajte vyteciť von. Nádrž dôkladne umyte v mydlovej vode, opláchnite a osušte. Teraz dajte zátku výpustu na pôvodné miesto.

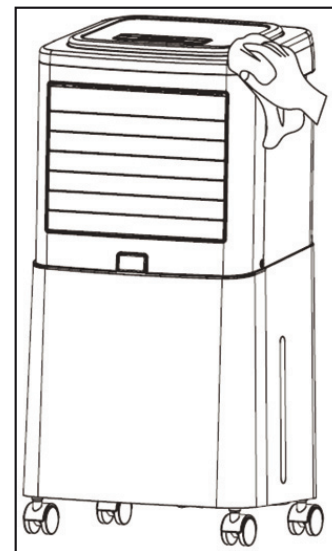


### Čistenie tela chladiča

Kefkou odstráňte z lamiel akékoľvek zvyšky a potom ich opatrne utrite vlhkou utierkou. Zatvorte lamely.

Jemne vyčistite vonkajšie povrchy zariadenia mäkkou, jemne navlhčenou handričkou - dávajte pozor, aby ste vodu nevyliali na riadiaci panel a do zariadenia. Vysušte suchou handričkou.

**Na čistenie častí zariadenia nikdy nepoužívajte chemické rozpúšťadlá, abrazívne prípravky alebo abrazívne utierky.**



## SKLADOVANIE

Ak zariadenie pravidelne používate, odkladajte ho plne zmontované, ale s prázdnu nádržou na vodu a zatvorenými lamelami, aby sa predišlo nehodám.

V prípade dlhodobejšieho skladovania môže byť vhodnejšie zariadenie skladovať demontované s chladičom prevráteným a vloženým do nádrže na vodu. Je dôležité najskôr jednotku vysušiť (vyprázdiť nádrž na vodu a na niekoľko hodín spustíte len ventilátor), potom zariadenie odložiť na bezpečné, suché miesto.

Ak budete zariadenie skladovať demontované, odporúčame vám použiť originálnu škatuľu (alebo škatuľu s vhodnou veľkosťou).

Ak zariadenie budete skladovať zmontované alebo demontované, ale neułożené do škatule, ochráňte chladič pred prachom.

## ODSTRAŇOVANIE PROBLÉMOV

**Ak zariadenie nepracuje, ako by malo, prezrite si najskôr tento kontrolný zoznam a až potom kontaktujte spoločnosť Tesco. Ak potrebujete kontaktovať linku pomoci, pripravte si doklad o kúpe.**

### Zariadenie sa nespustí

Uistite sa, že chladič je zapnutý do sieťovej zásuvky a že sieť je zapnutá.

Lamely na výstupe sú zatvorené.

### Zariadenie pri činnosti vydáva čudný zvuk

Vzduchový filter a/alebo filter vtsupnej hadice je zapchatý.

Zariadenie pracuje ako chladič a voda vyteká z nádrže, alebo je nádrž prázdna.

### Zariadenie nereaguje na príkazy diaľkového ovládača

Batérie v diaľkovom ovládači sú vybité, medzi diaľkovým ovládačom a chladičom nie je priama zámera.

Nasmerujte diaľkový ovládač na ovládací panel na hornej strane chladiča.

## ZÁRUKA A ŠPECIFIKÁCIE

### ZÁRUKA

Na tento výrobok sa vzťahuje dvojiročná záruka od dátumu kúpy. Ak sa počas tohto obdobia vyskytne porucha, obráťte sa na najbližší predajňu TESCO. Majte pripravený pokladničný blok. Táto záruka žiadnym spôsobom neovplyvňuje Vaše spotrebiteľské práva.

### ŠPECIFIKÁCIE

Model:.....AC20L12

Napájanie:.....220 - 240 V~ 50 Hz, 80 W

Objem nádrže:.....20 litrov

Hlučnosť:.....< 60 dB

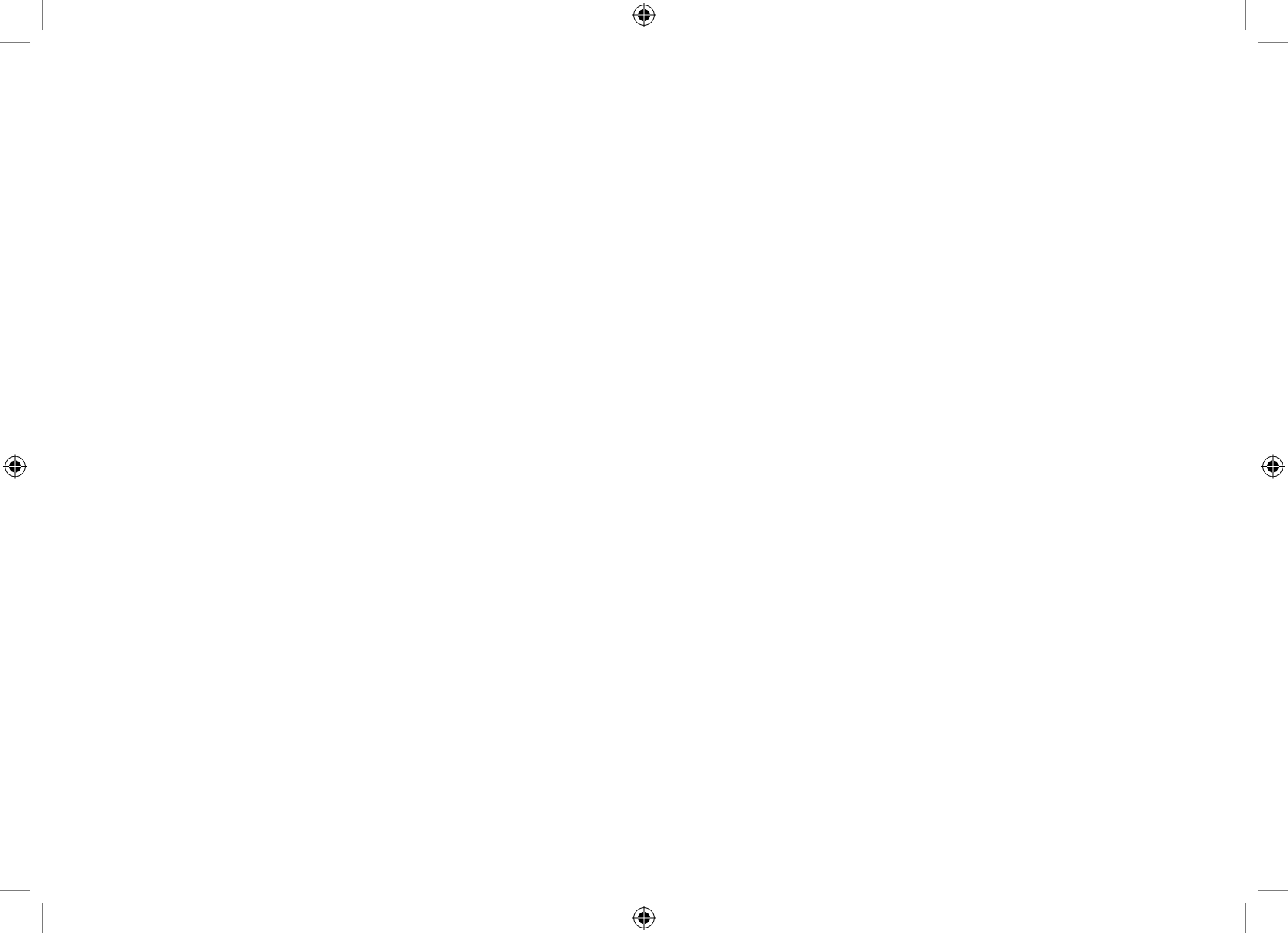
Hmotnosť výrobku: .....6,6 kg.



Tento spotrebič je zariadením II. triedy a nemusí byť pripojený k uzemneniu



Elektrické, elektrotechnické zariadenia a batérie sa nesmú likvidovať s domácim odpadom. Nechajte ich recyklovať v mieste na to určenom. Obráťte sa na miestne úrady alebo na vášho predajcu, ako tovar recyklovať.



# TESCO



**EN**

Tesco Stores Ltd, Delamare Road, Cheshunt, Herts, EN8 9SL.

**PL**

Wyprodukowano w Chinach dla:  
TESCO /POLSKA/ Sp. z o.o., ul. Kapelanka 56, 30-347 Kraków.

**CZ**

Dovozce: Tesco Stores ČR a.s., Vršovická 1527/68b, 100 00 Praha.

**HU**

Forgalmazza: TESCO-Globál Zrt. 2040 Budaörs, Kinizsi u. 1-3.

**SK**

Dovozca: TESCO STORES SR, a.s., Kamenné nám. 1/A, 815 61 Bratislava.

AC20L12 CE V1.2